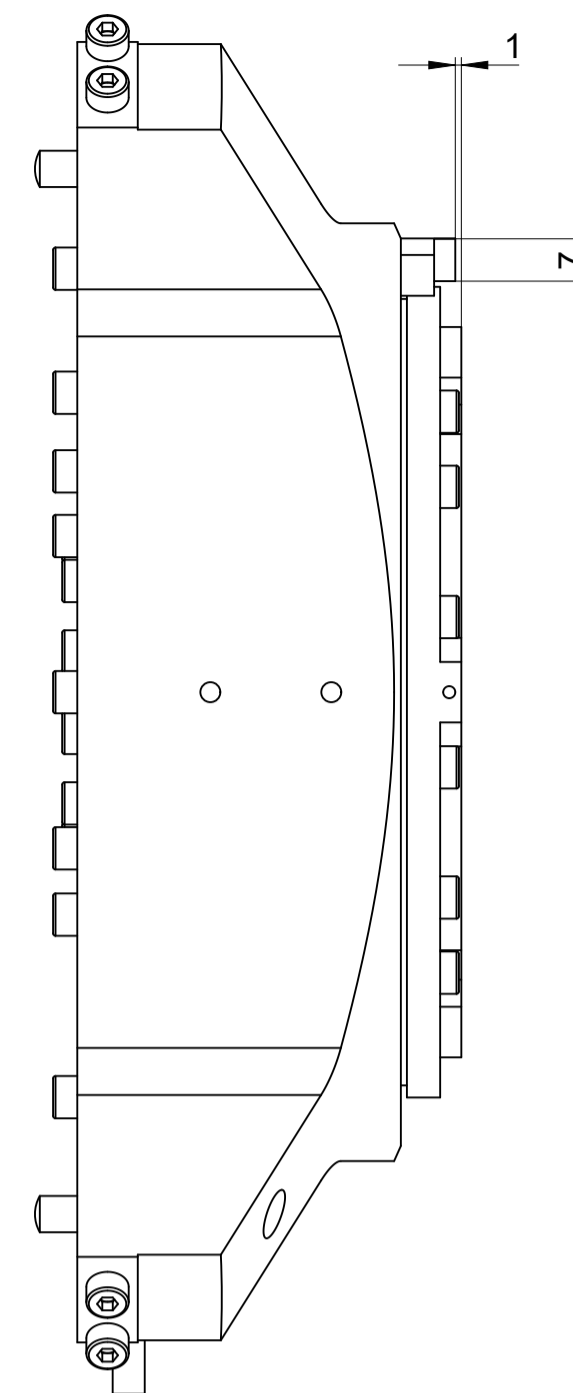
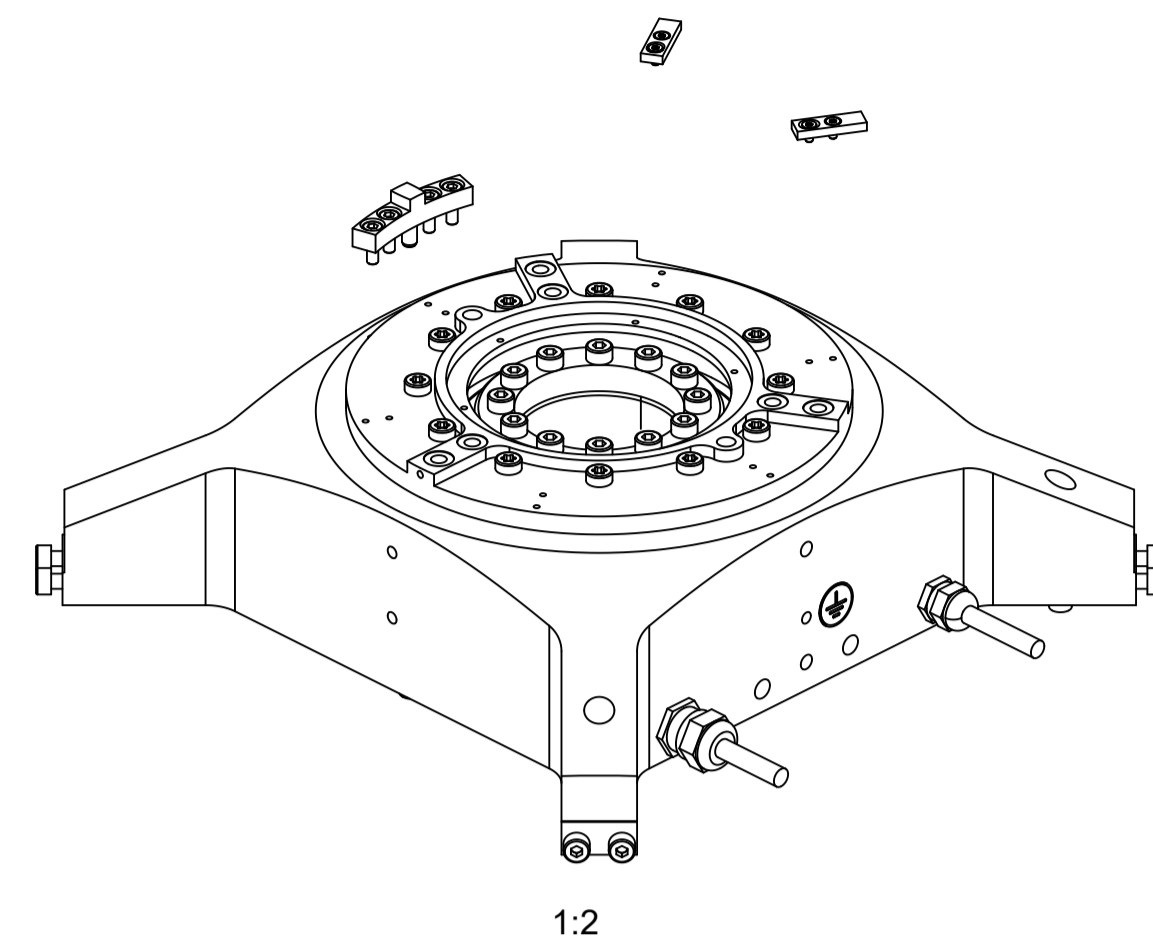
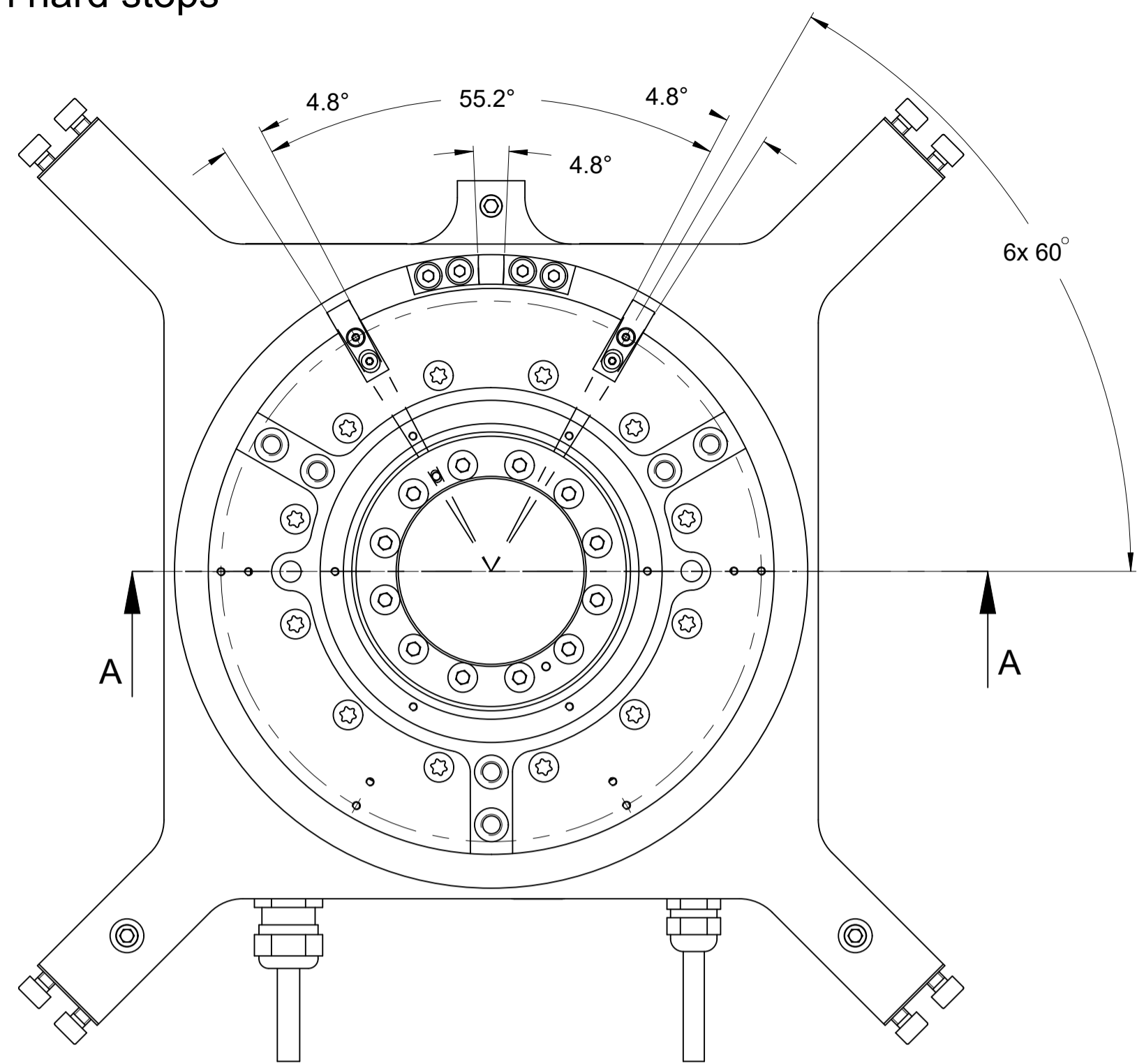
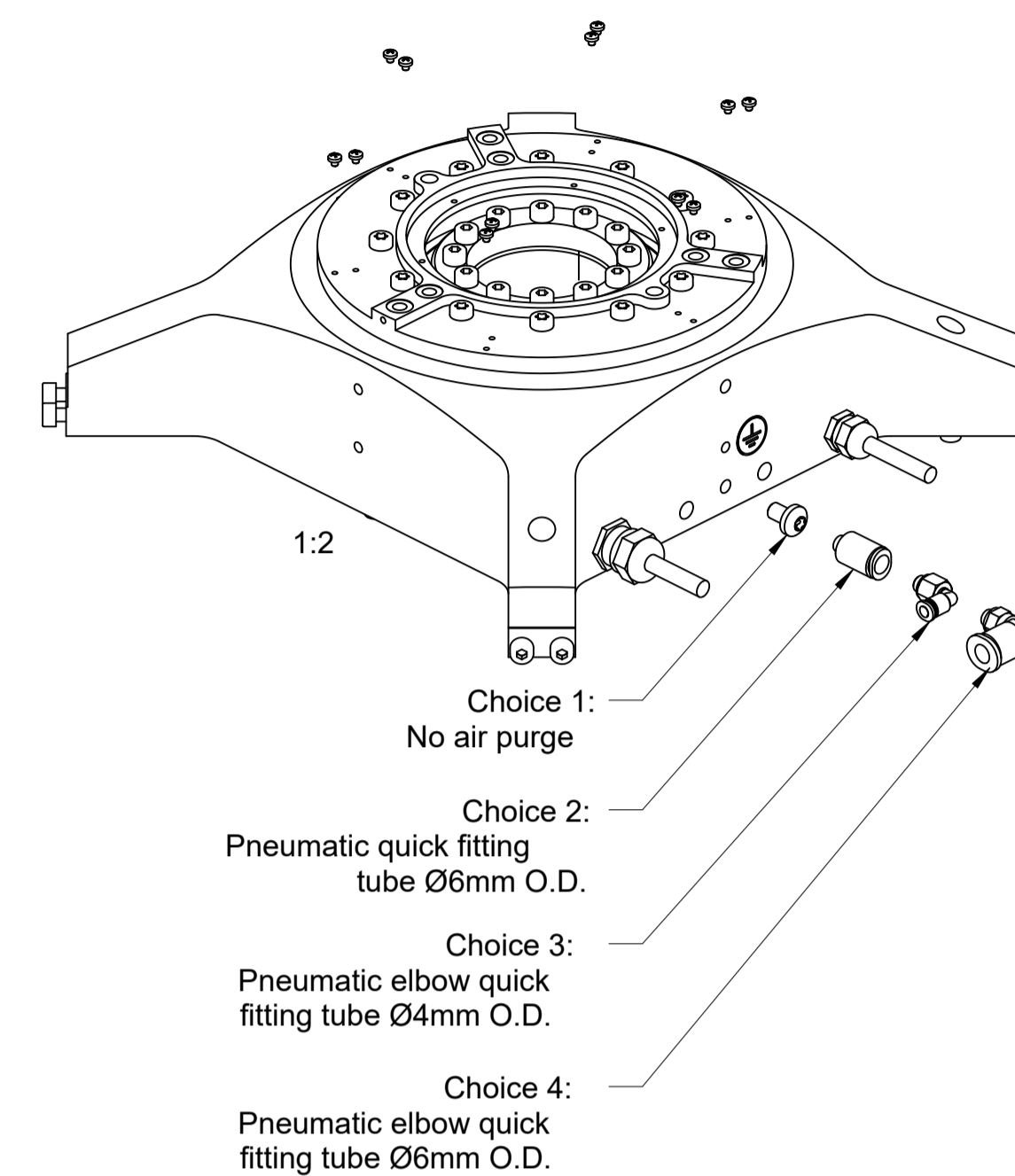


Text: Screw penetration: Define min / max		ID number: 1226183-01
Original drawing		Change No. C139467-20
Scale: 4:5		Released: 05-May-22
Format: A1		Tolerances as per ISO 8015 : 2011
Dimensions in mm		Tolerances selon ISO 8015 : 2011
DXR+ 155 - All options		Dimensions without tolerance ± 0.2
Mating Dimensions / Cotes d'encastrement		Dimensions sans tolérances
The reproduction, distribution and utilization of this document as well as the communication of its contents to others without express authorization is prohibited. Offenders will be held liable for the payment of damages. All rights reserved in the event of the grant of a patent, utility model or design. (ISO 15015)		
ETEL S.A. 2112 Möllers SWITZERLAND		Version   Revision   Sheet   Page 1226330-03-A-01 1 of 3

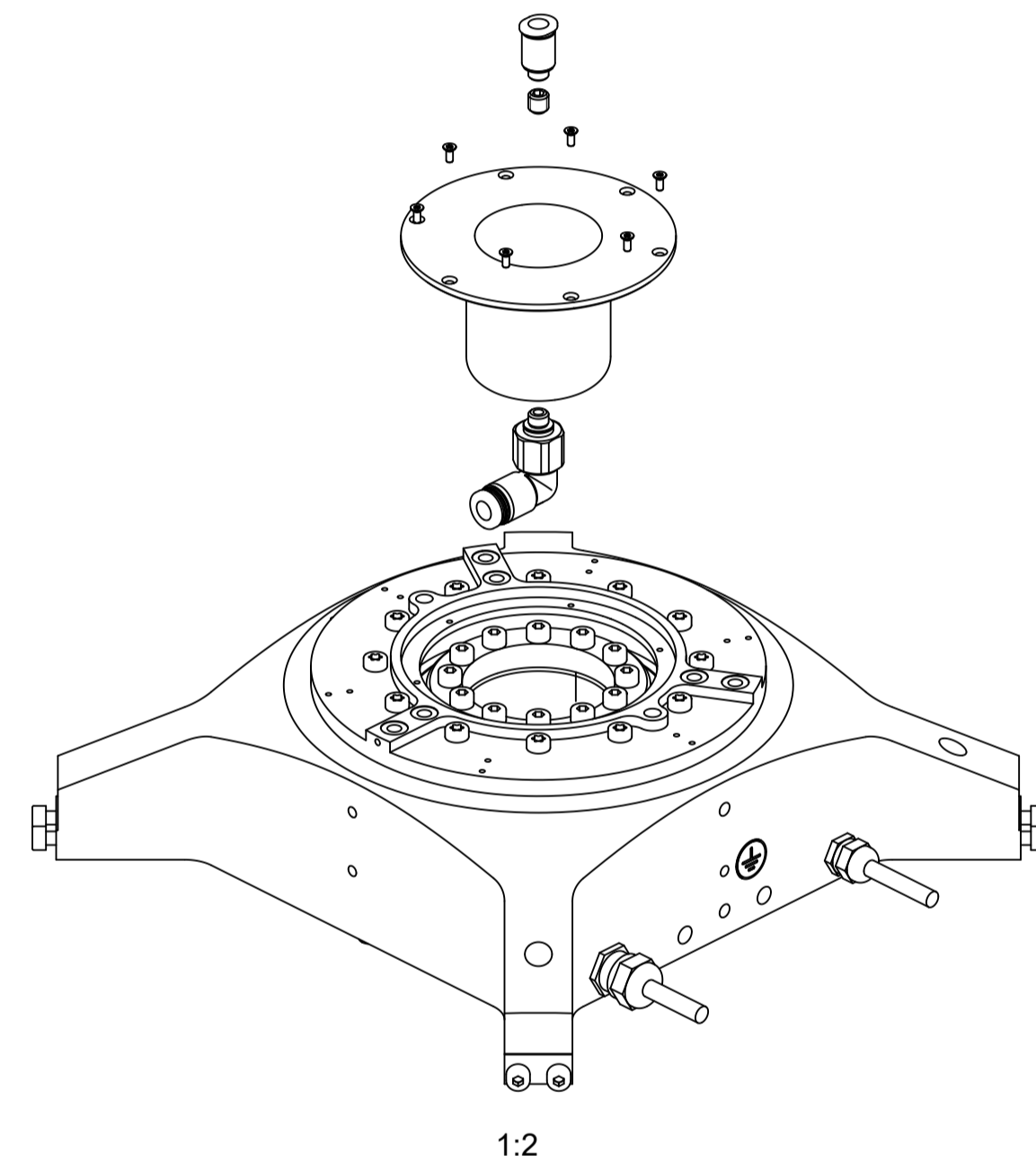
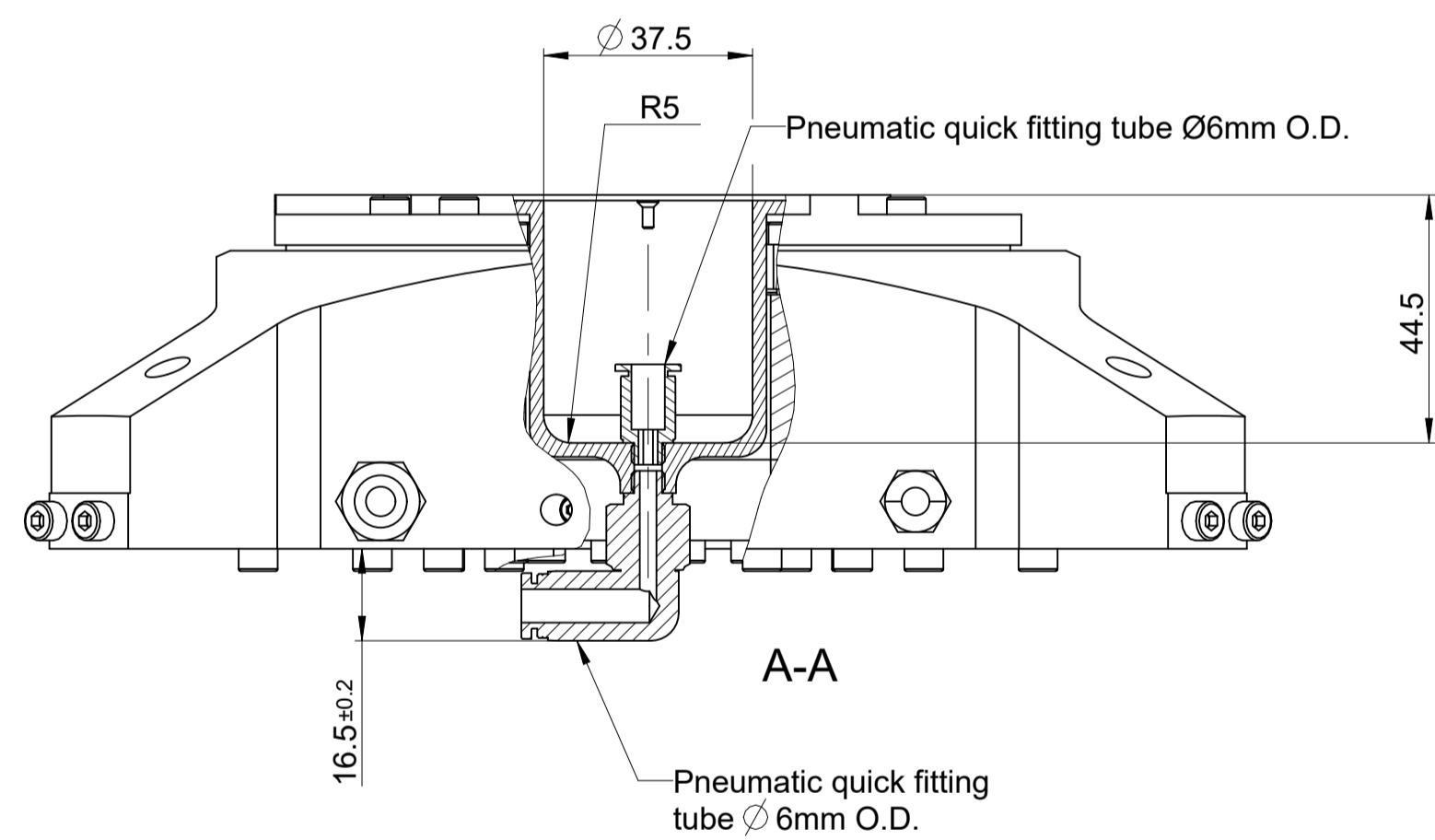
Option hard stops



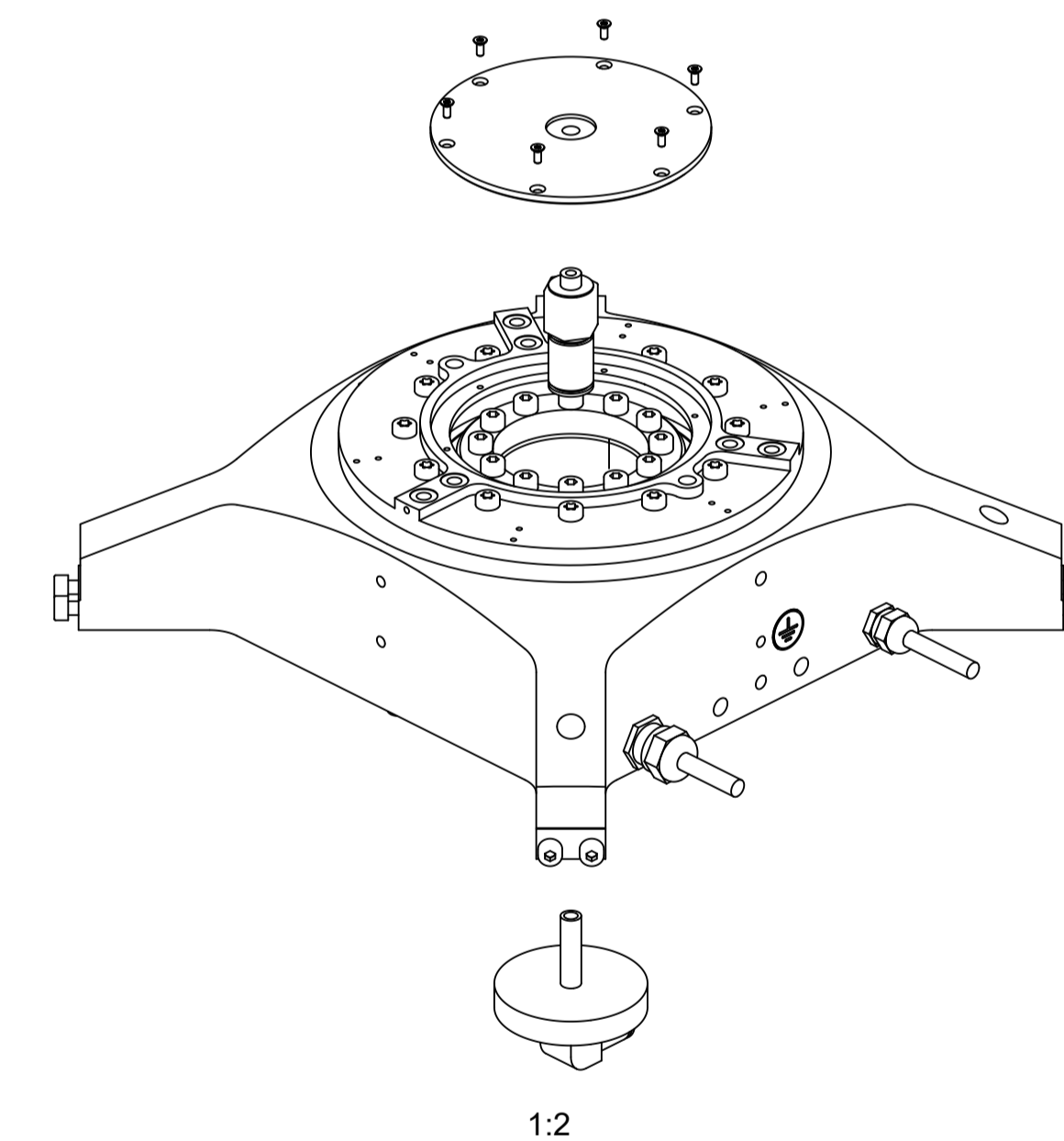
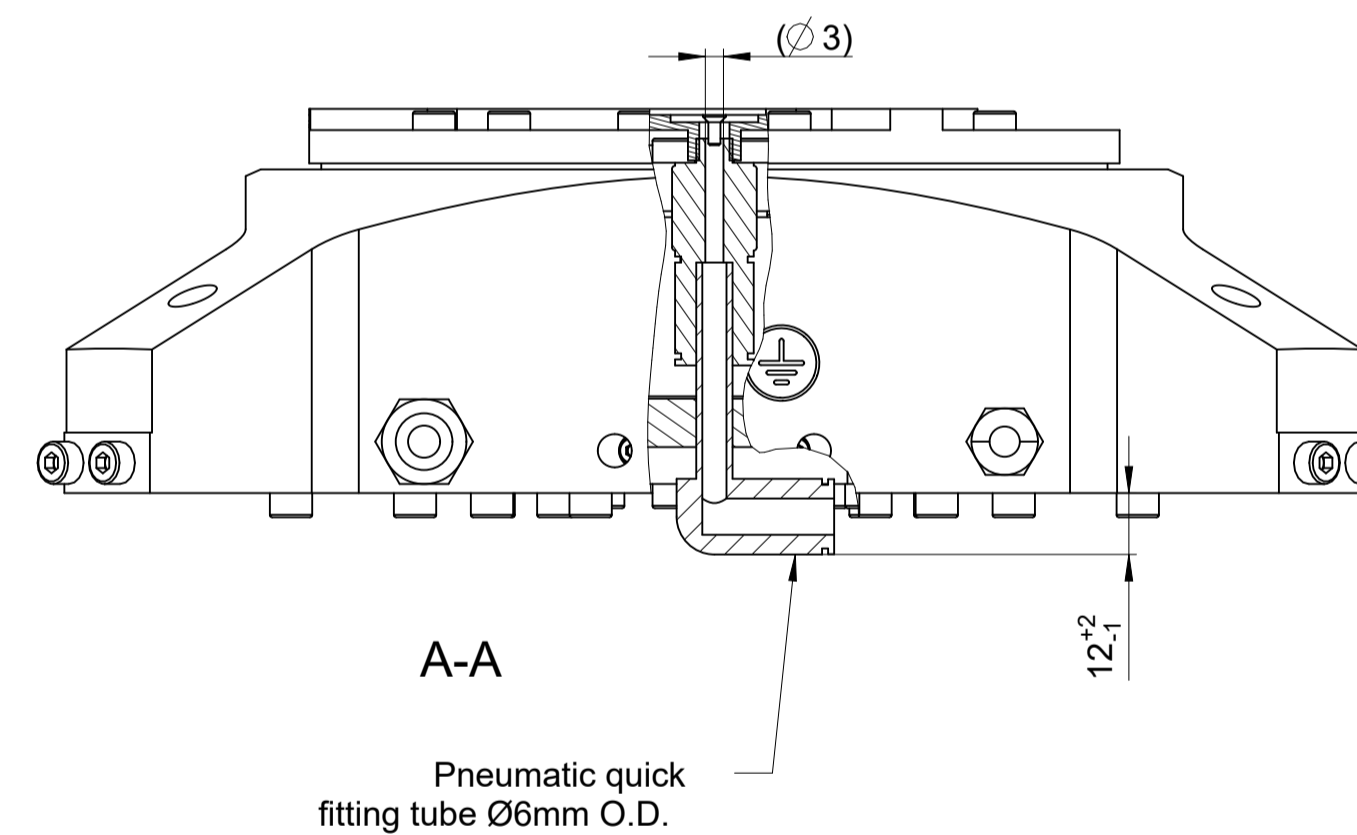
Option air purge



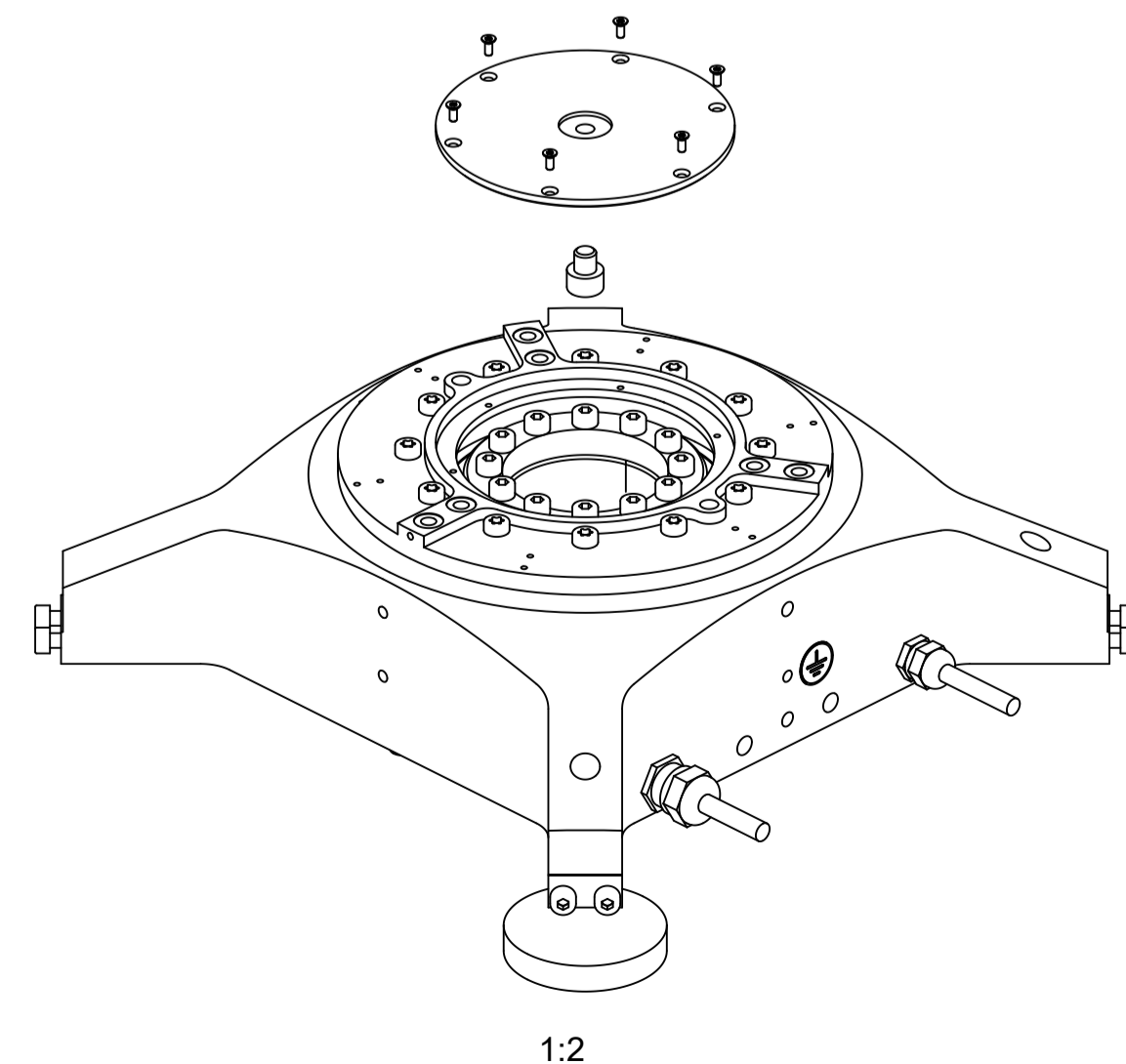
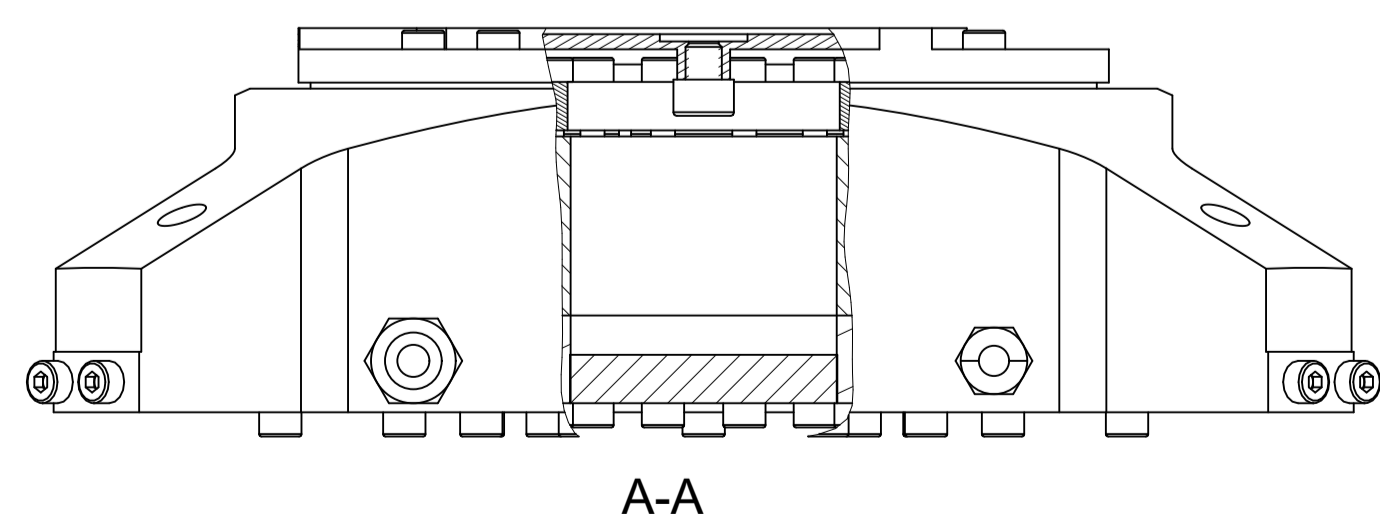
Option chuck vacuum, tube connect



Option chuck vacuum chamber

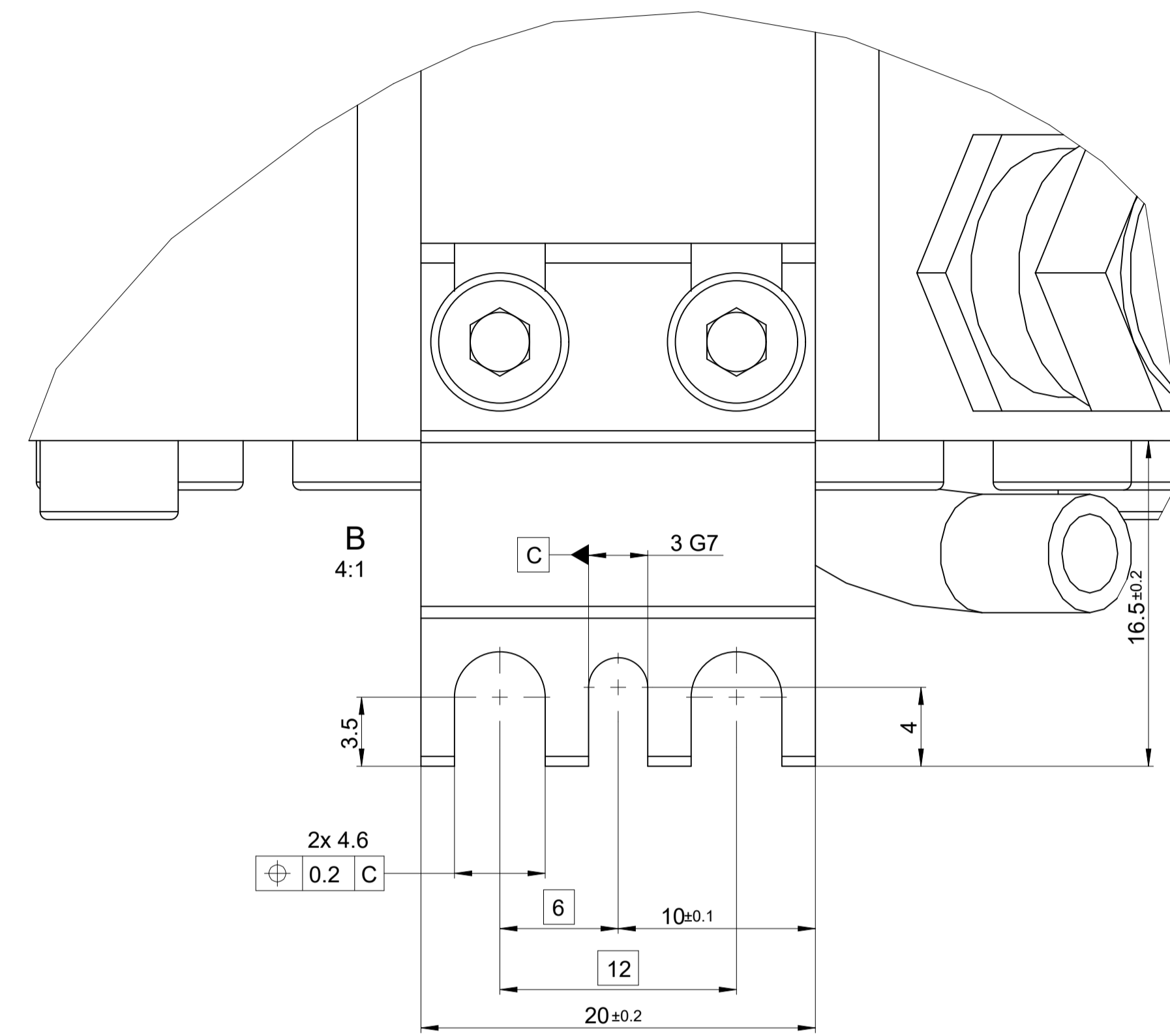
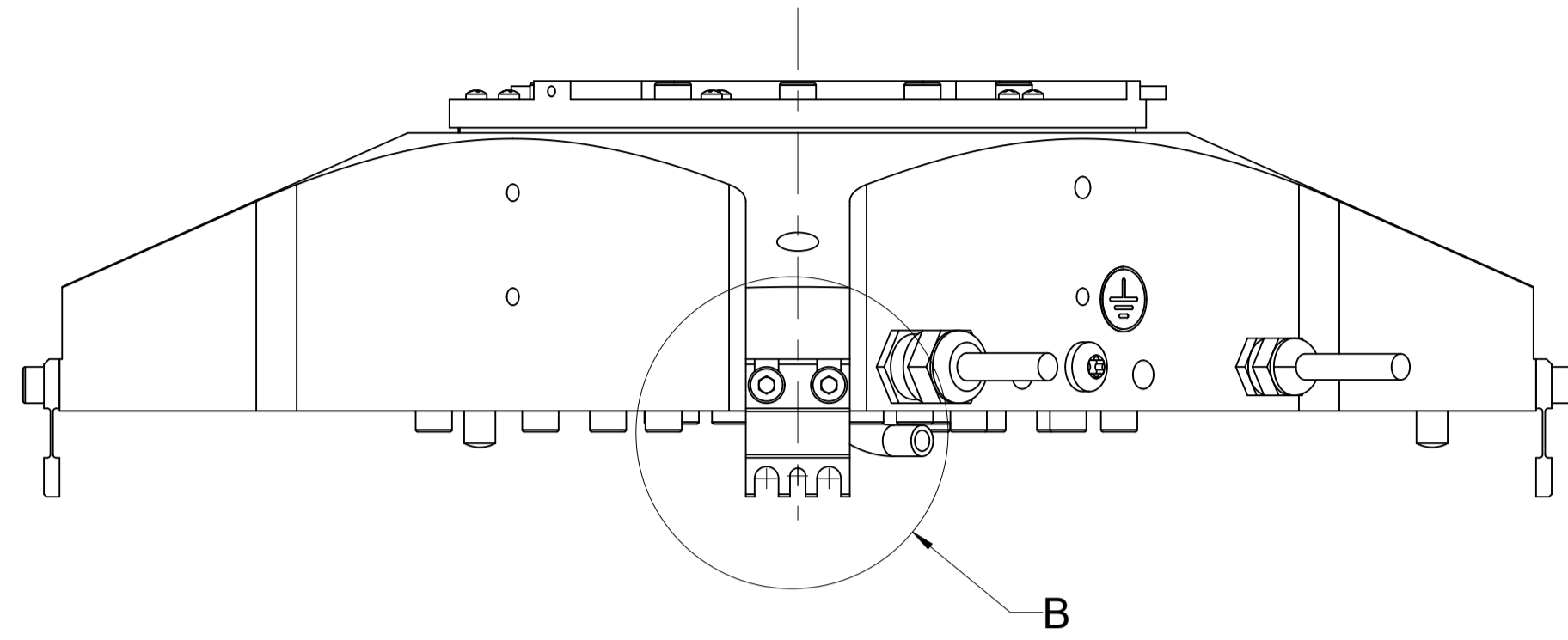


Option covers

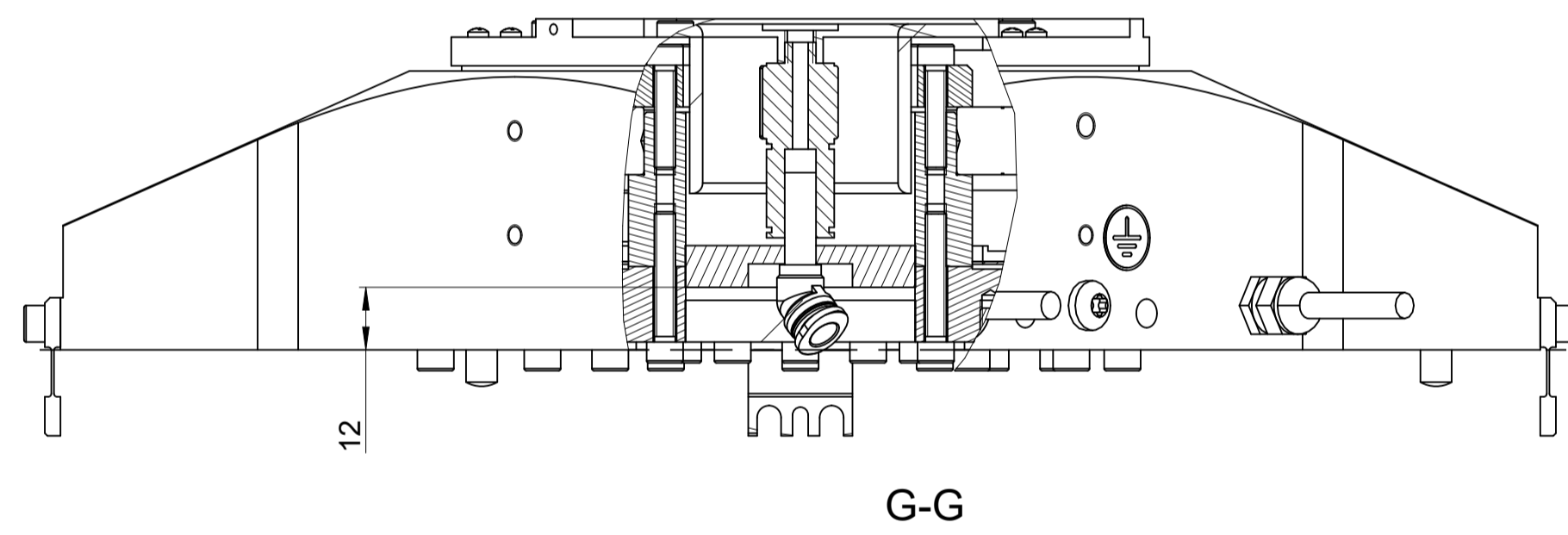


Text: Screw penetration: Define min / max			ID number: 1226183-01
Original drawing			Change No. C139467-20
Scale: 4:5			Released: 05-May-22
Format: A1			Tolerances as per ISO 8015 : 2011
Dimensions in mm			Tolerances selon ISO 8015 : 2011
Mating Dimensions / Cotes d'encastrement			Dimensions without tolerance ± 0.2
Dimensions sans tolérances			Dimensions sans tolérances
The reproduction, distribution and utilization of this document as well as the communication of its contents to others without express authorization is prohibited. Offenders will be held liable for the payment of damages. All rights reserved in the event of the grant of a patent, utility model or design. (ISO 18015)			
ETEL S.A. 2112 Möllers SWITZERLAND			Version   Revision   Sheet   Page 1226330-03-A-01   2 of 3

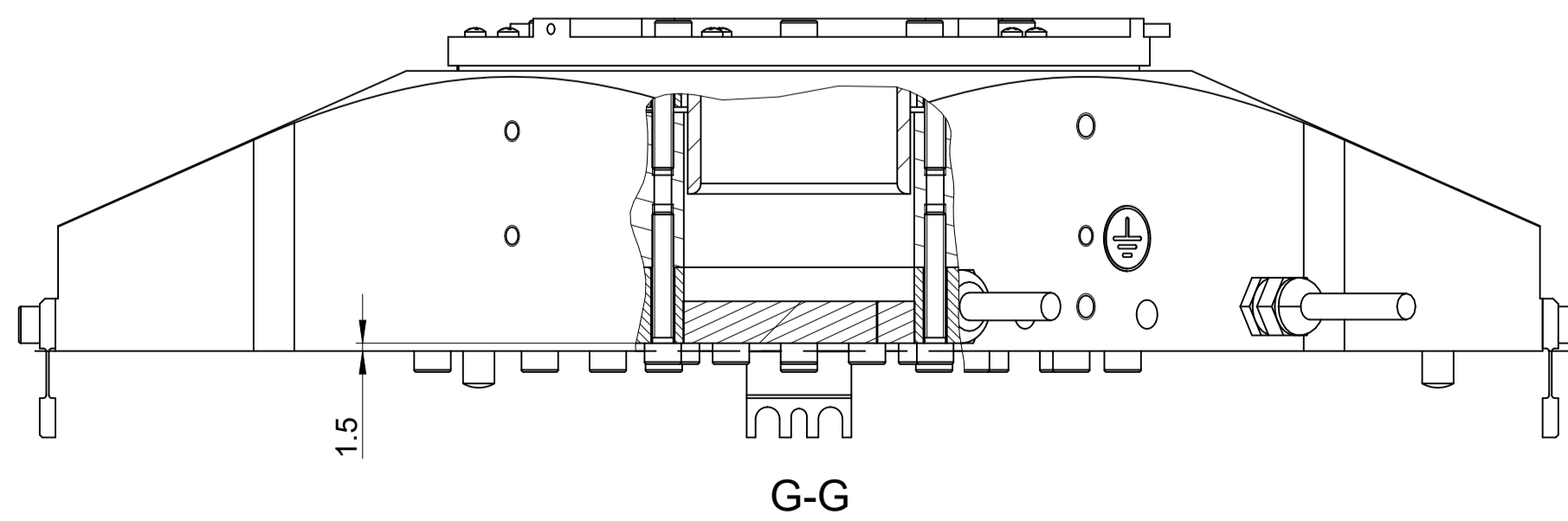
Option mounting plates



Kit vacuum chuck 45°



Kit vacuum chuck 6 and 7 tubes



Text: Screw penetration: Define min / max		ID number: 1226183-01
Change No. C139467-20		Released: 05-May-22
Tolerances as per ISO 8015 : 2011 Tolérances selon ISO 8015 : 2011		Dimensions without tolerance Dimensions sans tolérances ± 0.2
Dimensions in mm 4:5 A1	<b>DXR+ 155 - All options</b> <b>DXR+ 155 - All options</b> Mating Dimensions / Cotes d'encastrement	The reproduction, distribution and utilization of this document as well as the communication of its contents to others without express authorization is prohibited. Offenders will be held liable for the payment of damages. All rights reserved in the event of the grant of a patent, utility model or design. ( ISO 10215 )
ETEL S.A. 2112 Möllers SWITZERLAND		Version   Revision   Sheet   Page <b>1226330-03-A-01</b> Document number 3 of 3