

Encoder Connector Pinning

Pin	Function
4	+5V
5, 12	GND
6	COS-
7	SIN-
8	IDX-
13	COS+
14	SIN+
15	IDX+
1, 2, 3, 9, 10, 11	Not Connected

Motor cable pinning

Wire	Function
Wire 3	Motor phase 3
Wire 2	Motor phase 2
Wire 1	Motor phase 1
Gr-Ye	Protective Earth

Variant	Part n°	Winding	L	Tol.
ASME-RTMBi1401503RAS0000	1235114-01	3RAS	5000	±100
ASME-RTMBi1401503RBS0000	1235114-02	3RBS	5000	±100
ASME-RTMBi1401503TBS0000	1235114-03	3TBS	5000	±100

1235114-01 ID number

Text: Change No. C142285-50 Released: 09.05.2022 Material: Matière:

Original drawing Scale 1:1 Format A1 ASME-RTMBi1401503**S0000 - Interface ASME-RTMBi1401503**S0000 - Interface

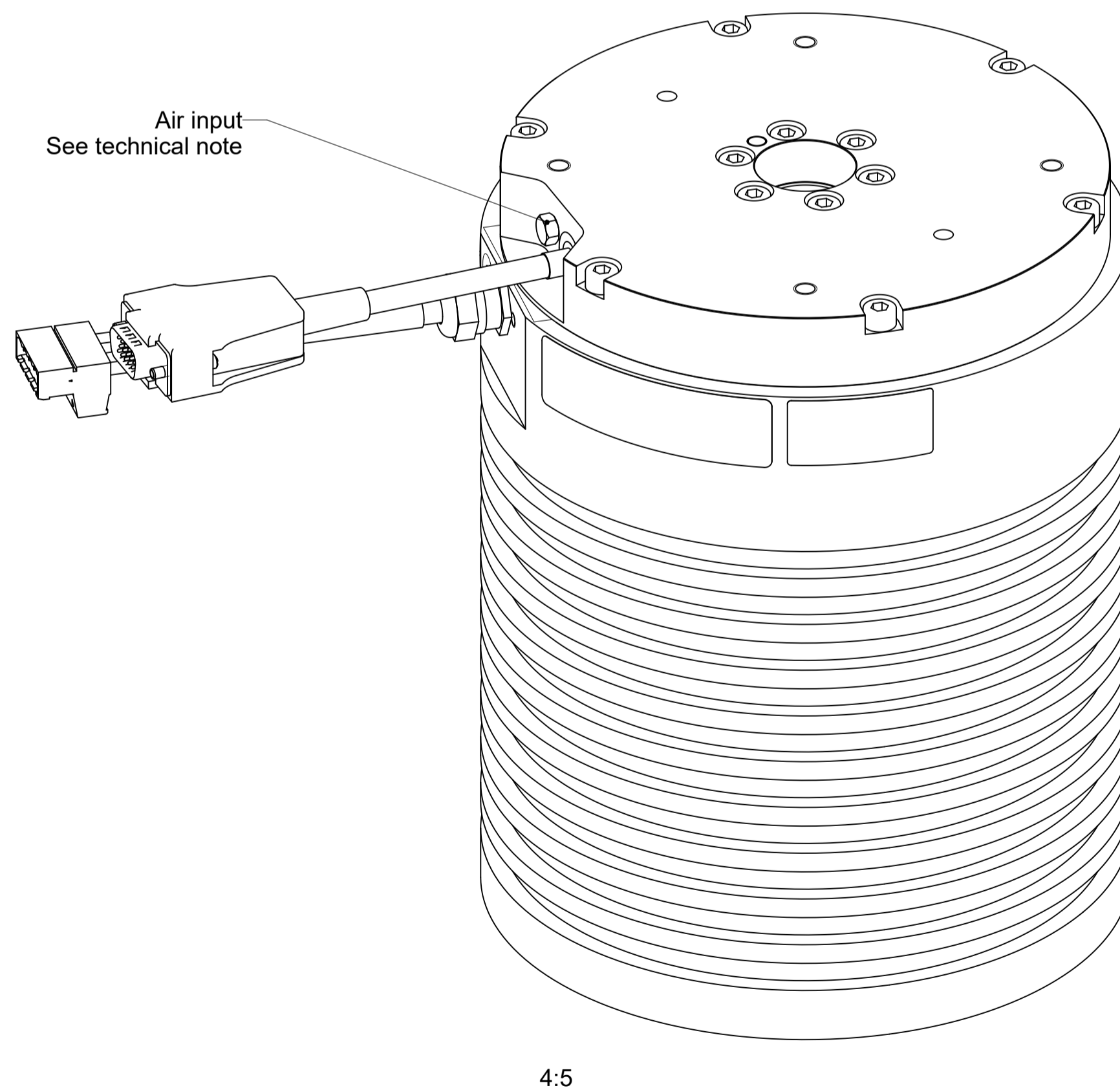
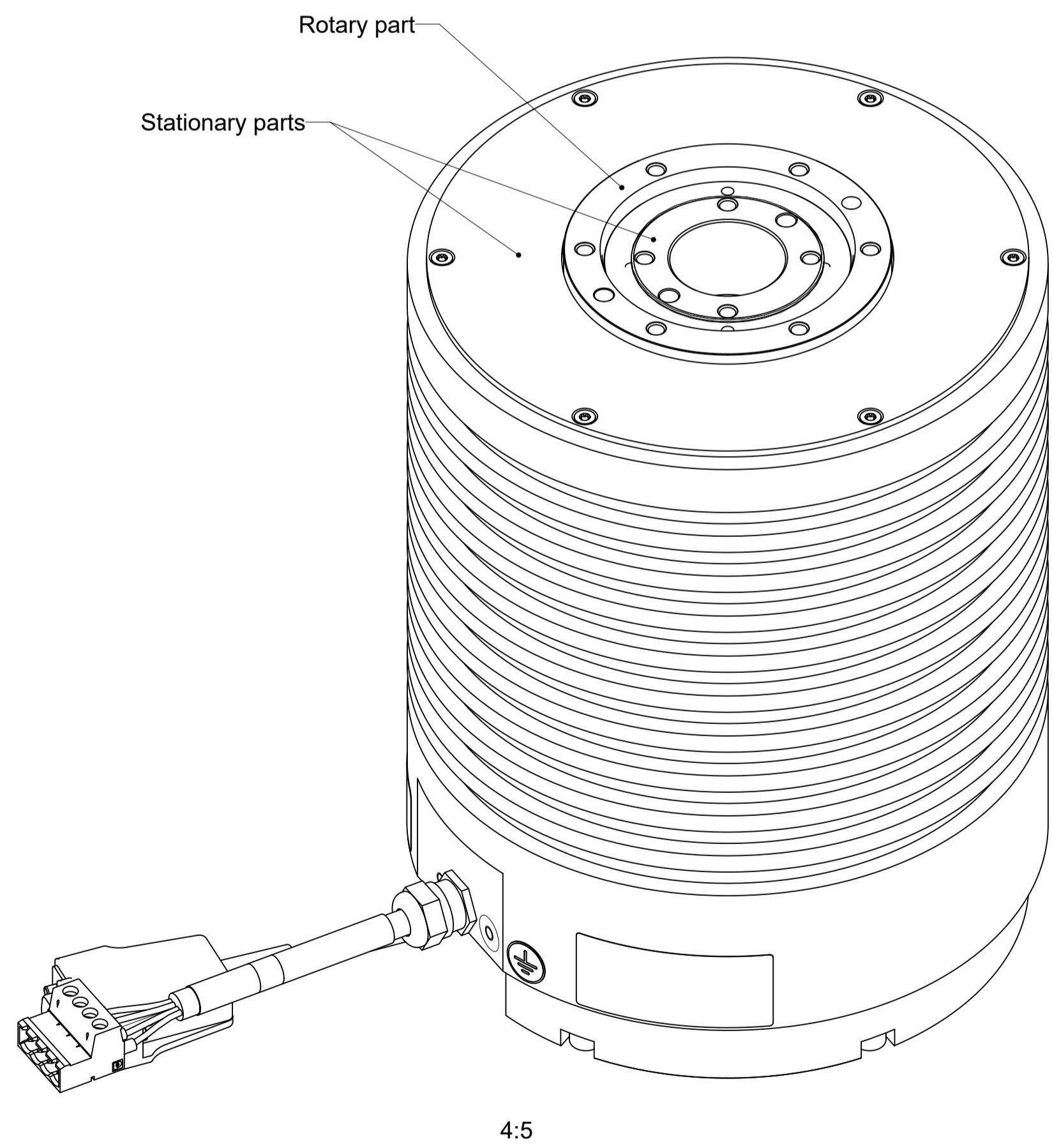
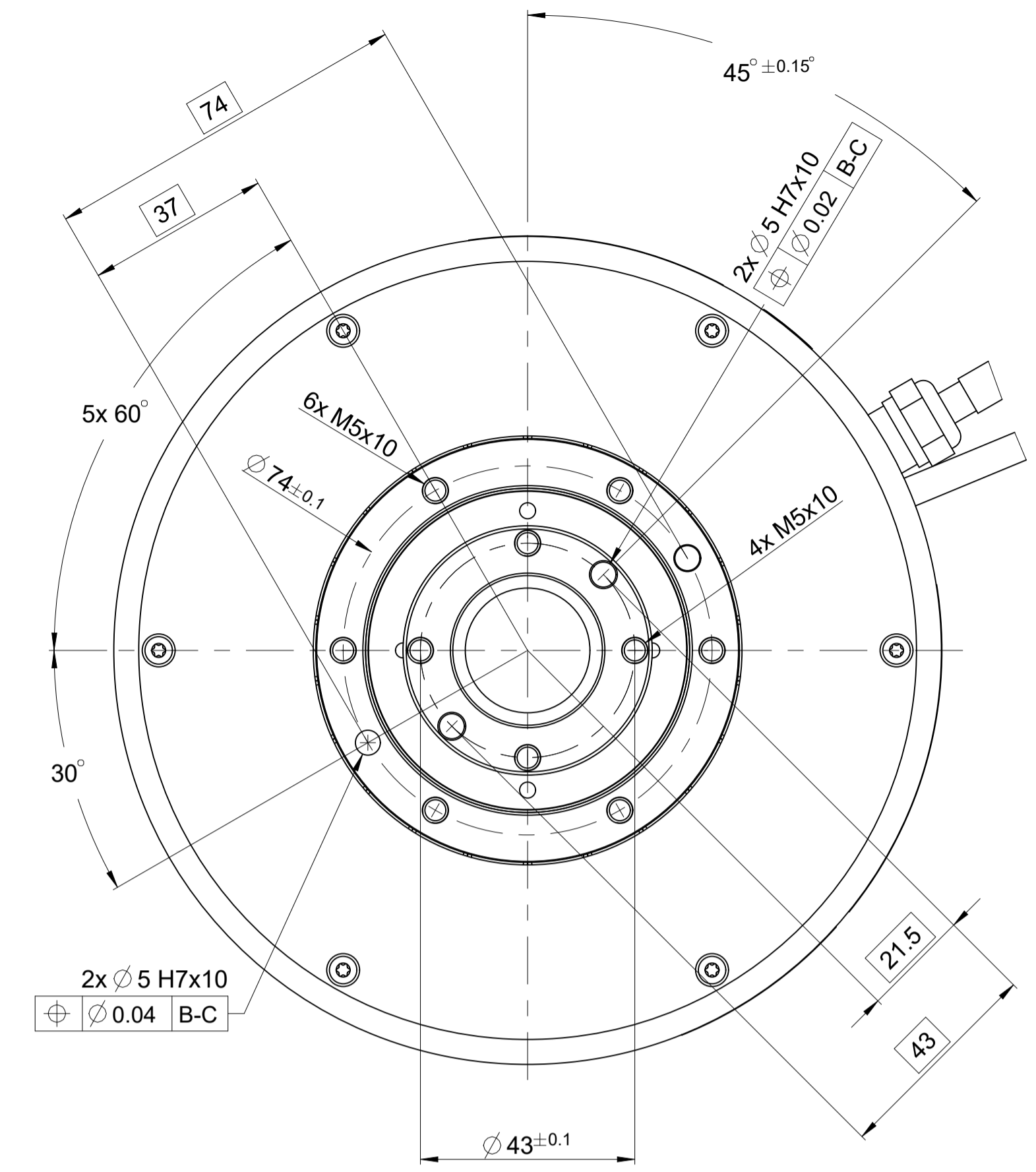
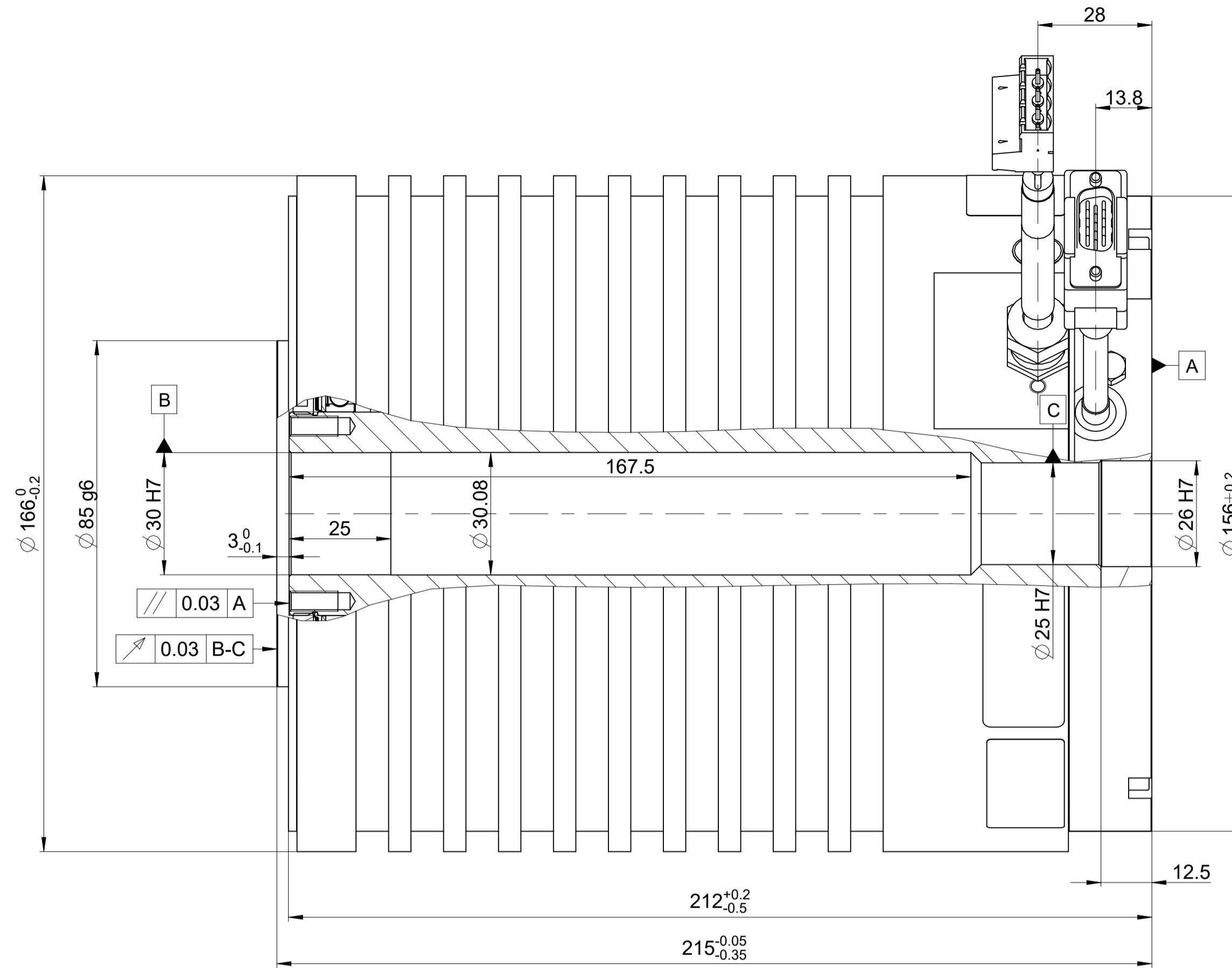
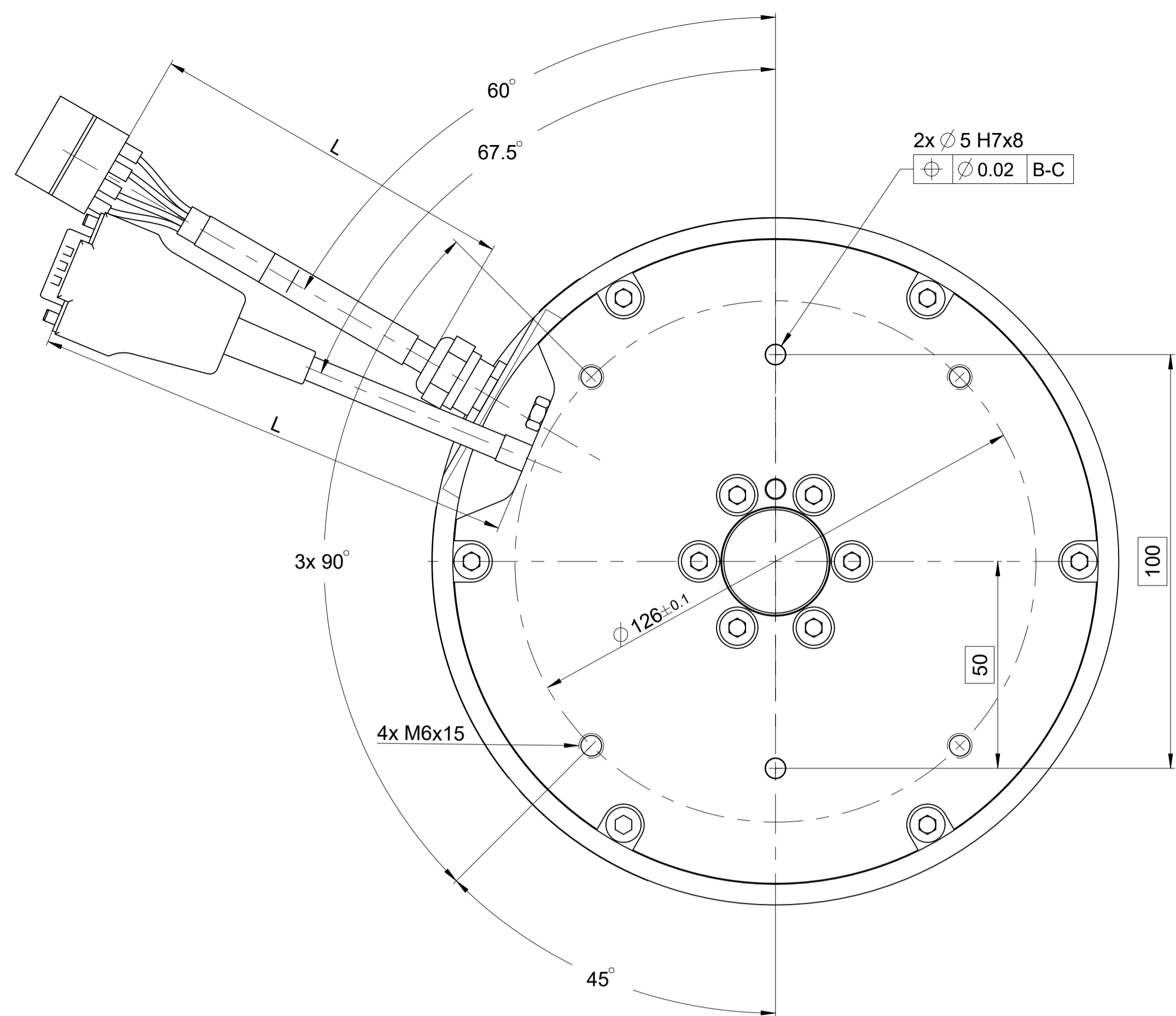
Dimensions in mm / Cotes en mm Mating Dimensions / Cotes d'encrochement

Workpiece edges ISO 13715 Arêtes de formes selon ISO 13715 -0.1 / L±0.3 +0.3 / L±0.0 General tolerances ISO 2768-mK Tolérances générales ISO 2768-mK Surfaces as per ISO 1302 Etats de surface selon ISO 1302 Surface treatment: Traitement de surface:

The reproduction, distribution and utilization of this document as well as the communication of its contents to others without express authorization is prohibited. Offenders will be held liable for the payment of damages. All rights reserved in the event of the grant of a patent, utility model or design. (ISO 18015)

ETEL ETEL S.A. 2112 Möllers SWITZERLAND

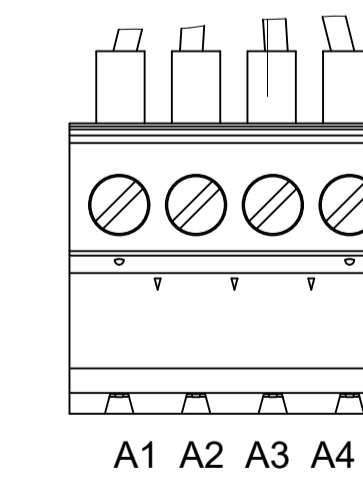
Version/Revision/Sheet Page 1271742-01 - A-01 1 of 1 Document number



Encoder Connector Pinning

Pin	Function
4	+5V
5, 12	GND
6	COS-
7	SIN-
8	IDX-
13	COS+
14	SIN+
15	IDX+
1, 2, 3, 9, 10, 11	Not Connected

300V Connector Pinning



Pin	Wire	Function
A1	Wire 3	Motor phase 3
A2	Wire 2	Motor phase 2
A3	Wire 1	Motor phase 1
A4	Gr-Ye	Protective Earth

Variant	Part n°	Winding	L	Tol.
ASME-RTMBi1401503RAS0000	1196274-01	3RAS	5000	±100
ASME-RTMBi1401503RBS0000	1196274-02	3RBS	5000	±100
ASME-RTMBi1401503TBS0000	1196274-03	3TBS	5000	±100

1196274-00 ID number

Text: Change No. C142285-55 Released: 09.05.2022 Material: Matière:

Original drawing Scale 1:1 Format A1 ASME-RTMBi1401503**S0000 - Interface ASME-RTMBi1401503**S0000 - Interface

Dimensions in mm / Cotes en mm Mating Dimensions / Cotes d'encrochement

Workpiece edges ISO 13715 -0.1 / L±0.3 Arêtes de formes selon ISO 13715 +0.3 / L±0.0

General tolerances ISO 2768-mK Surfaces as per ISO 1302 États de surface selon ISO 1302

Tolerances as per ISO 8015 : 2011 Surface treatment: Traitement de surface: Tolérances selon ISO 8015 : 2011

The reproduction, distribution and utilization of this document as well as the communication of its contents to others without express authorization is prohibited. Offenders will be held liable for the payment of damages. All rights reserved in the event of the grant of a patent, utility model or design. (ISO 15015)

ETEL ETEL S.A. 2112 Möhlers SWITZERLAND

Version/Revision/Sheet Page 1196506-01 - A-01 1 of 1

Document number