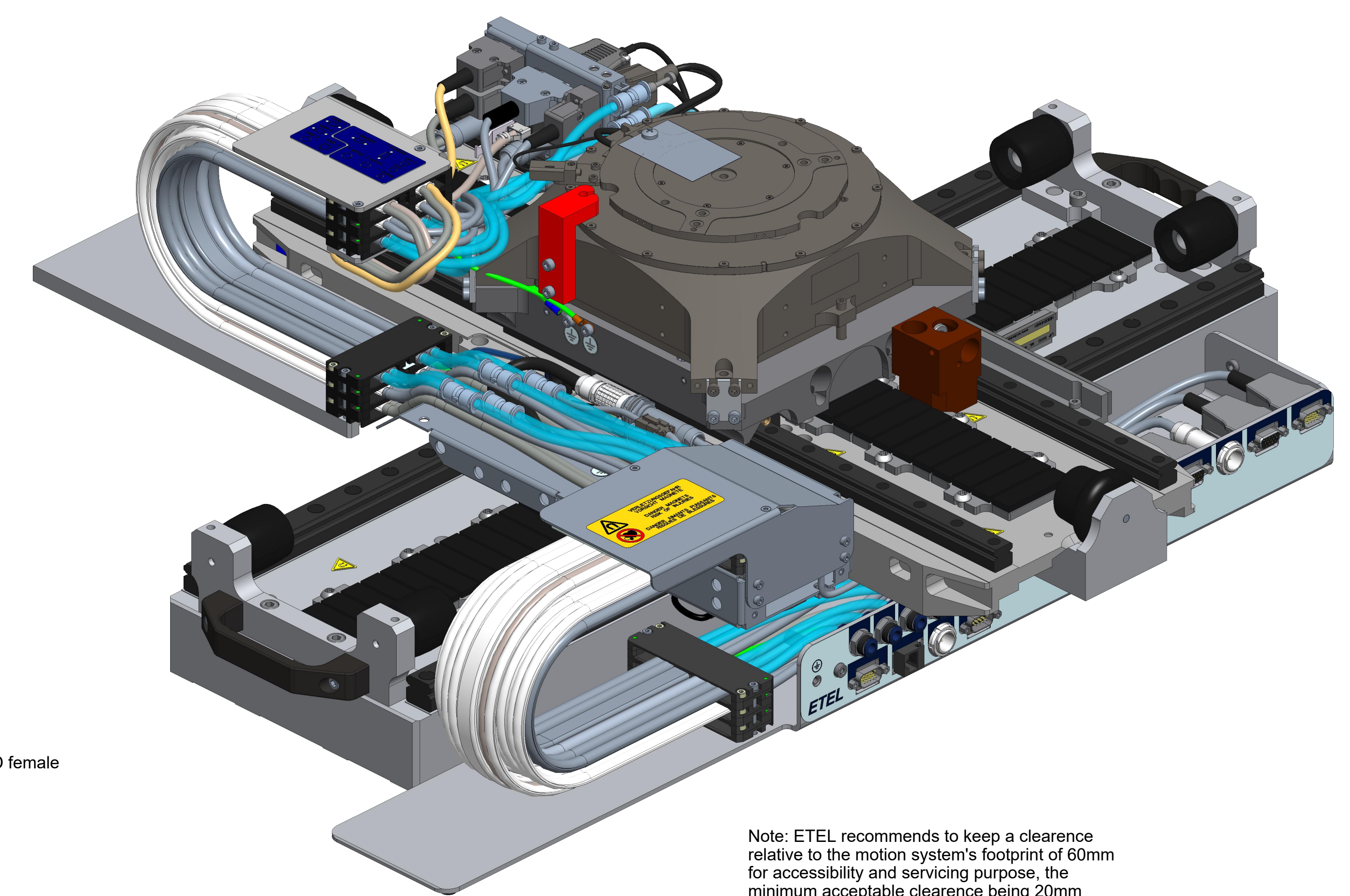
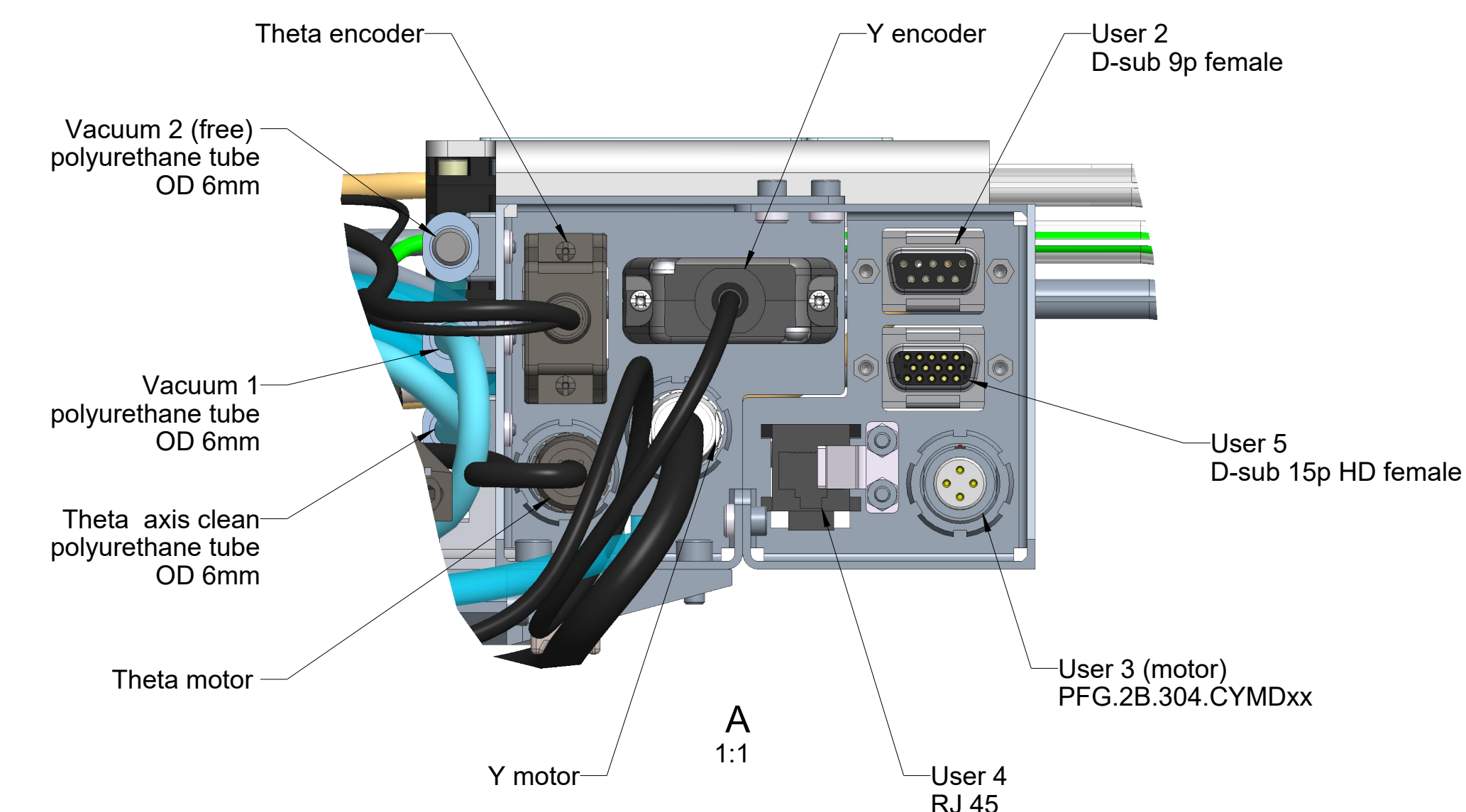
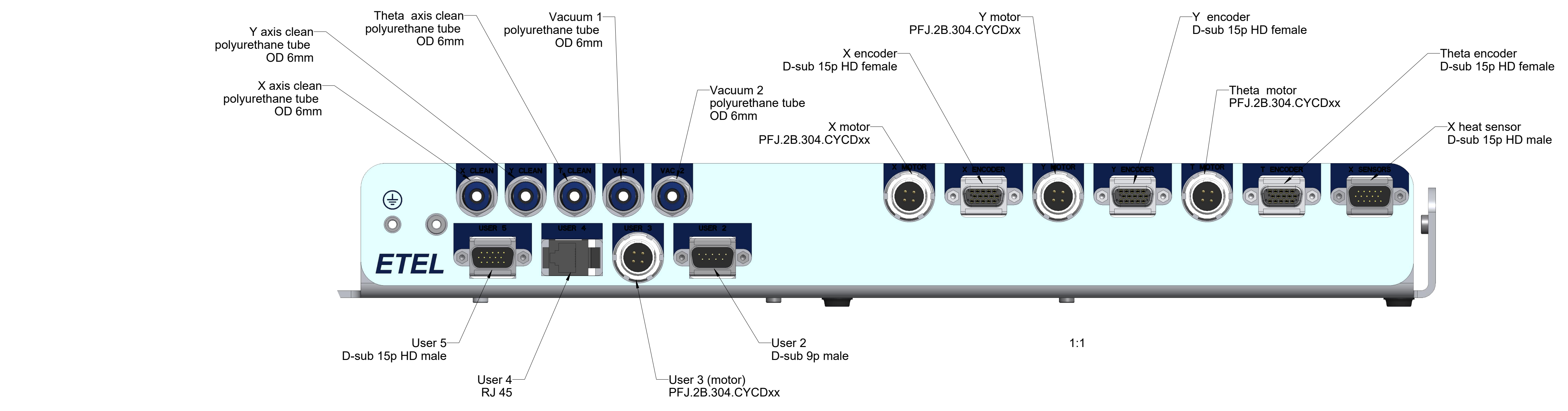


Stroke 365mm Minimum
386mm when damper compressed

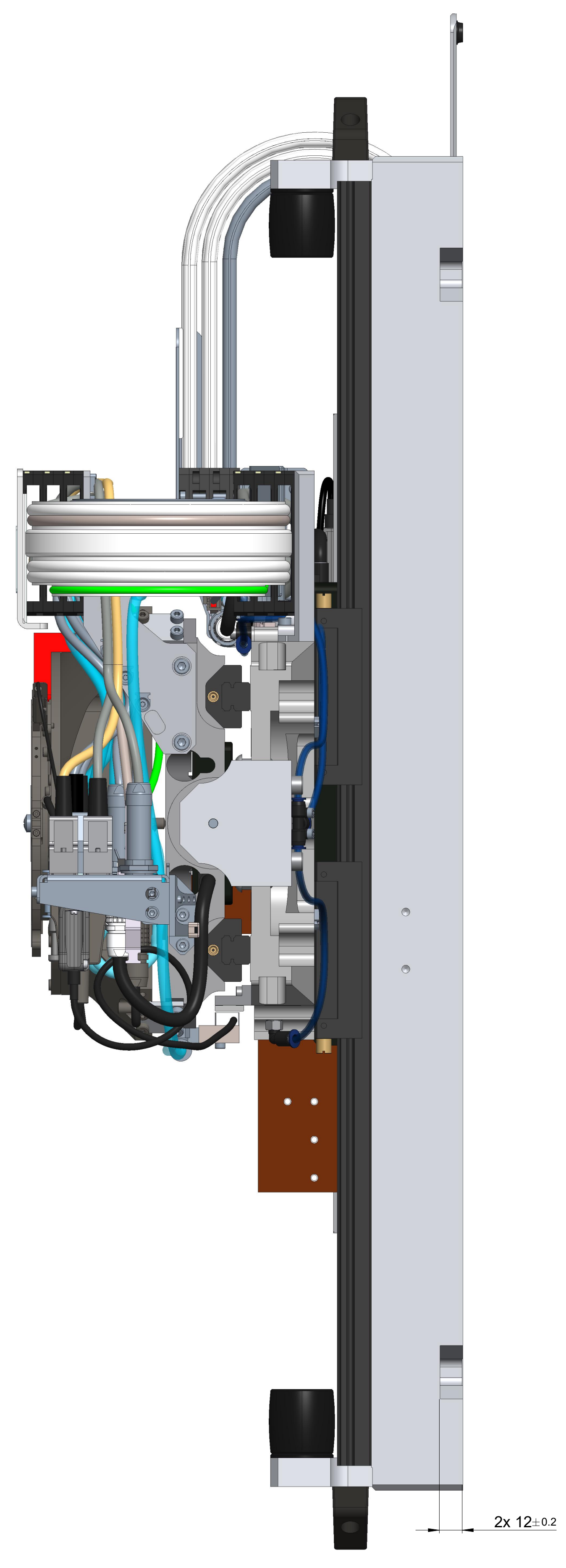
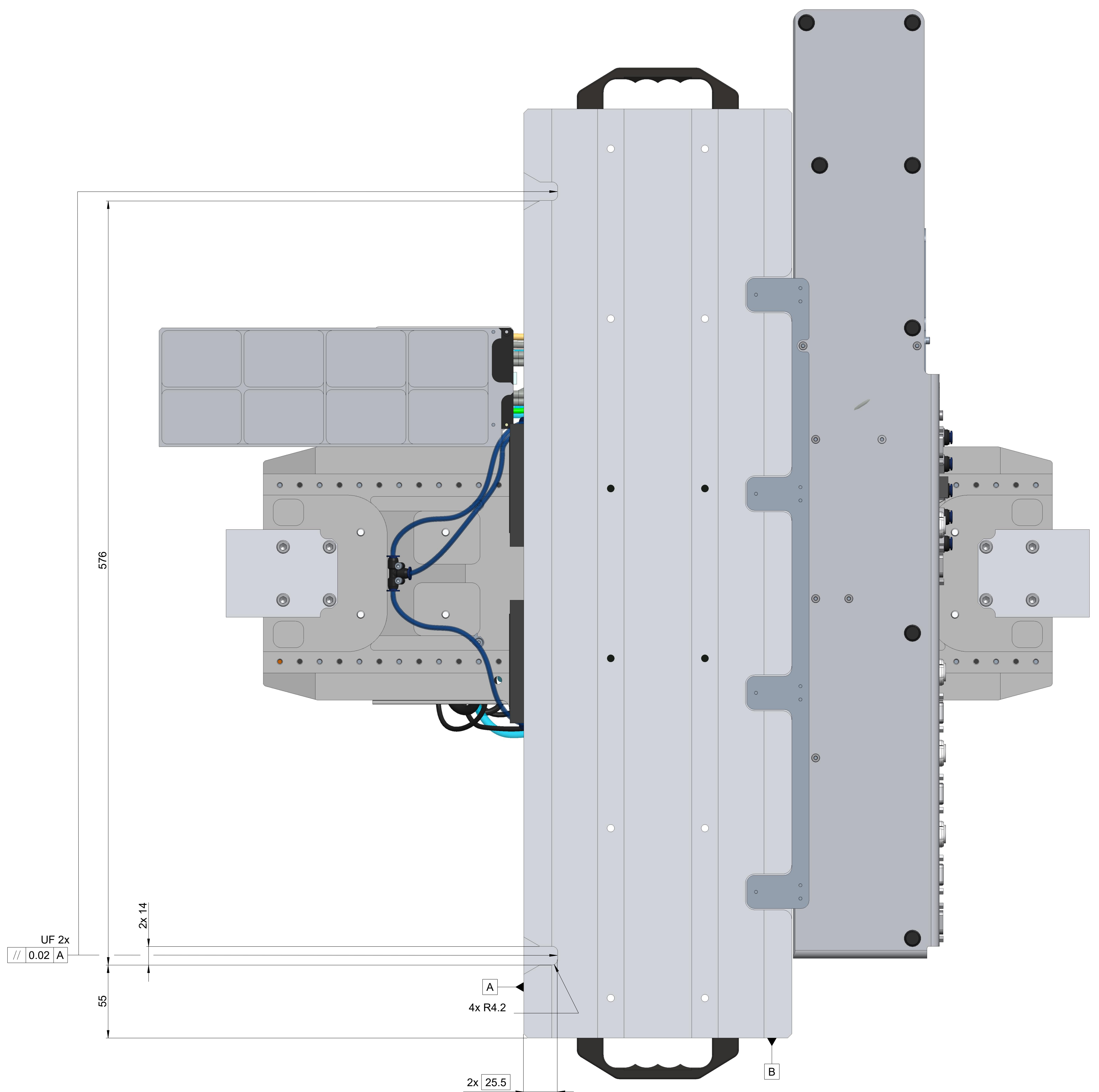
X AXIS



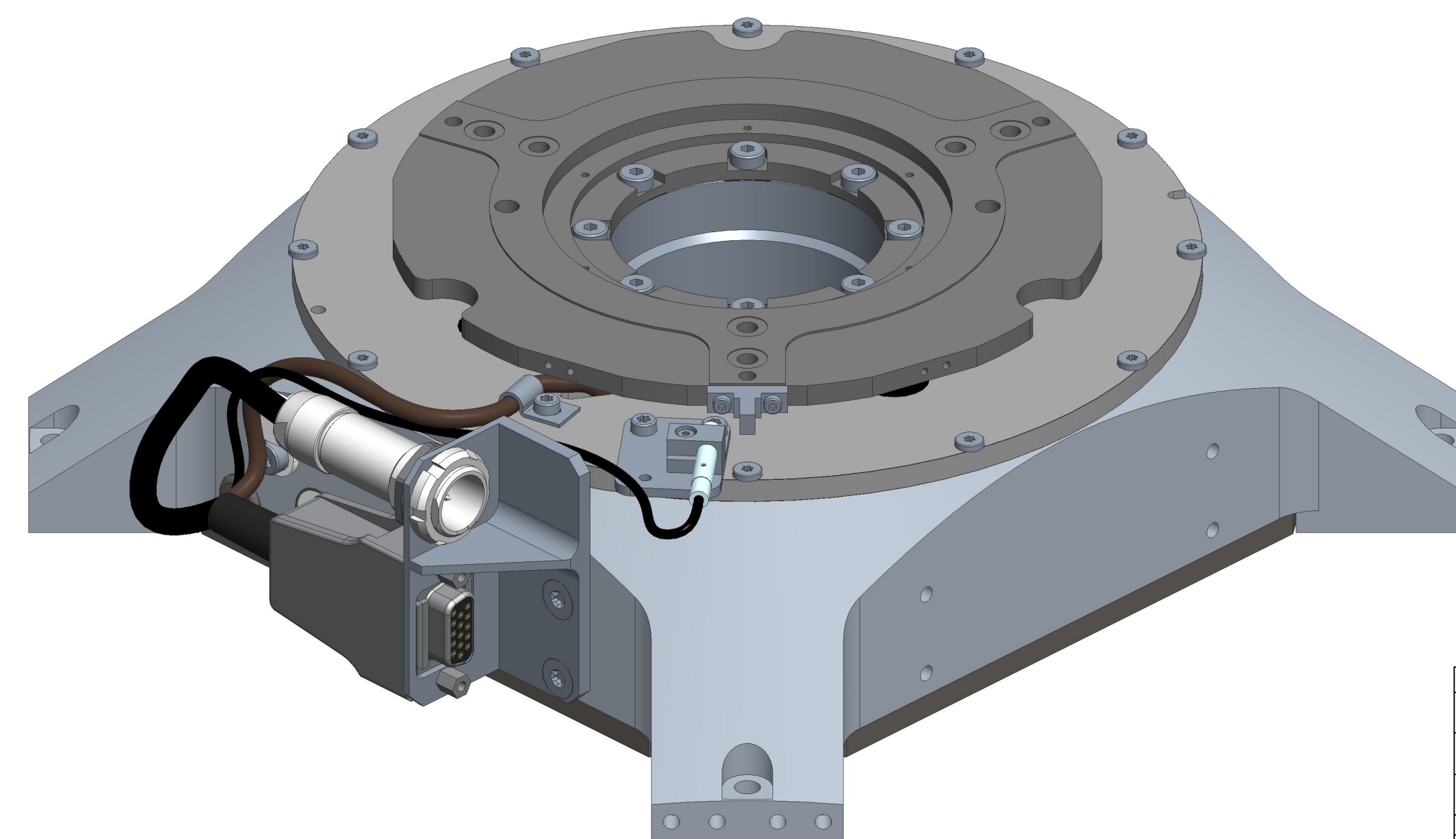
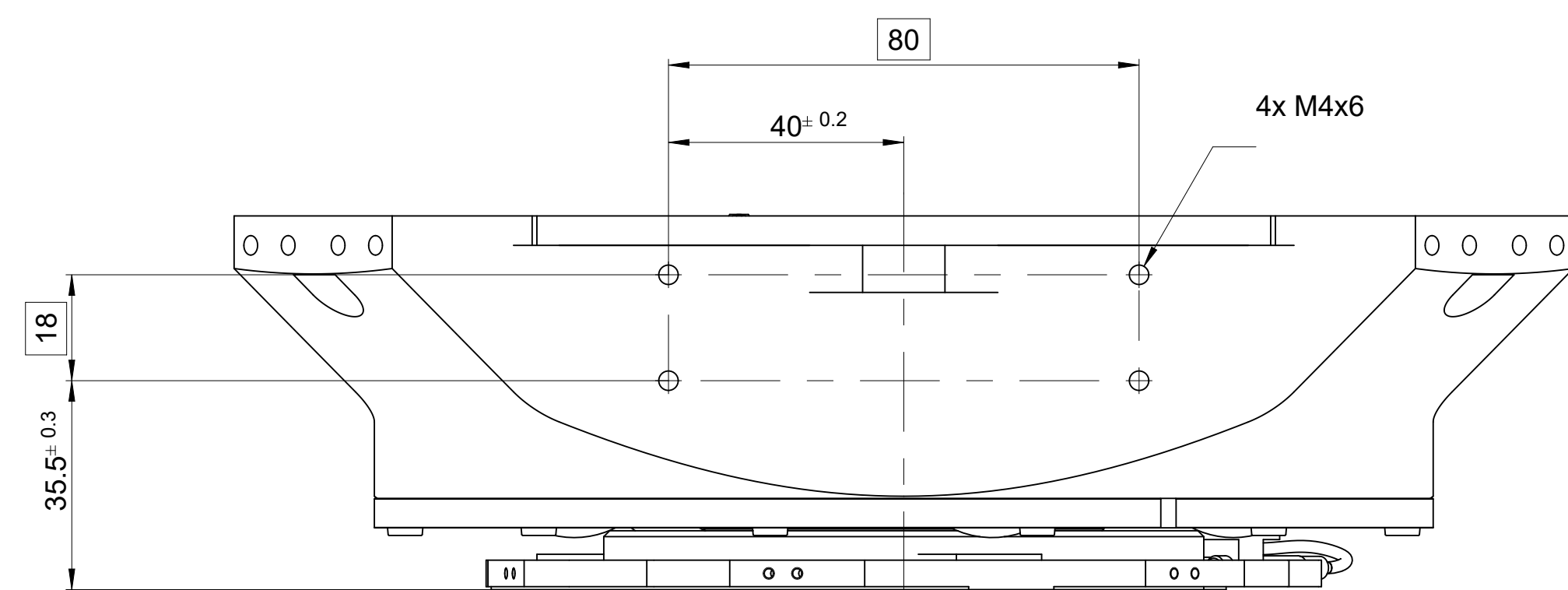
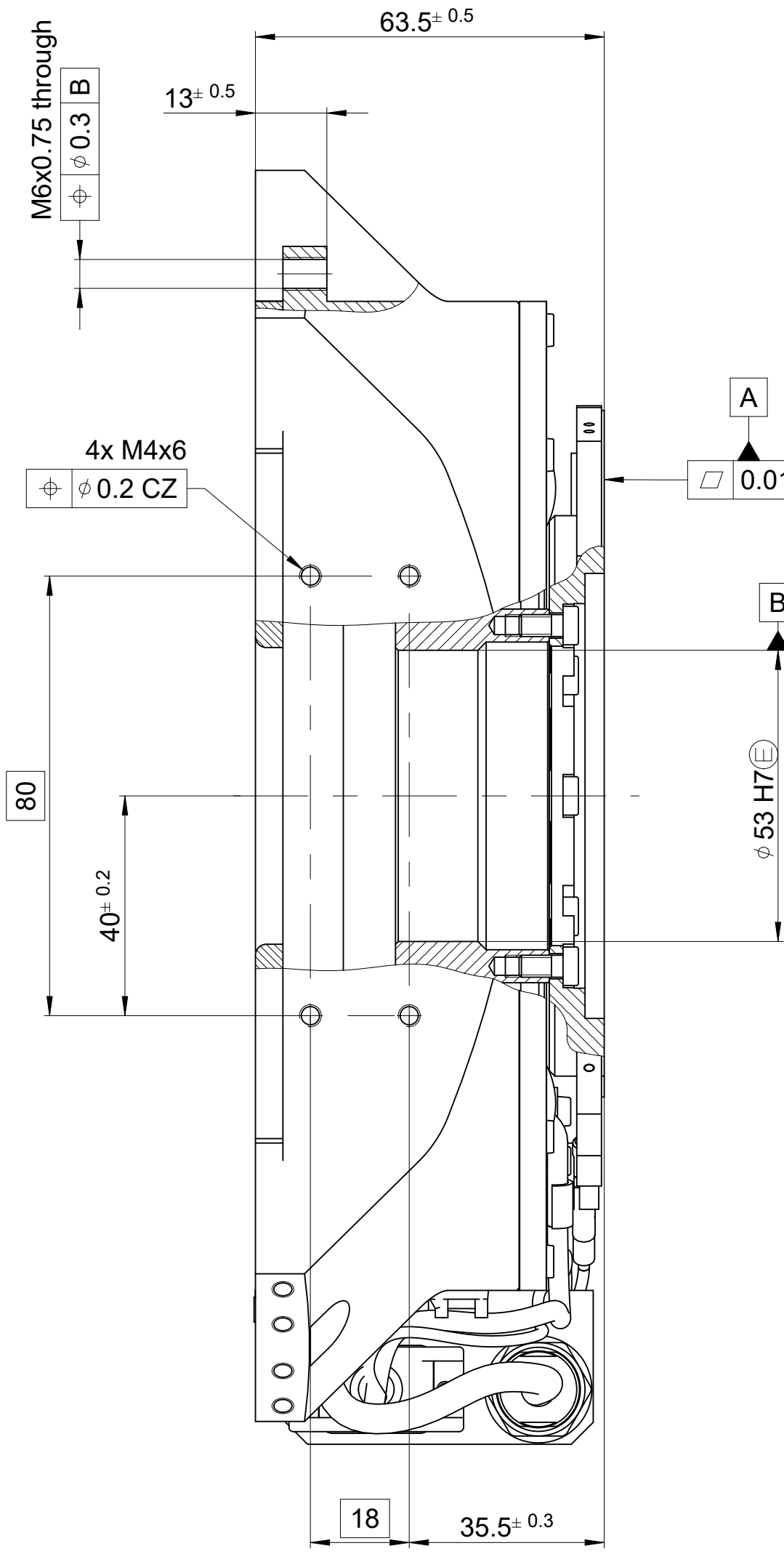
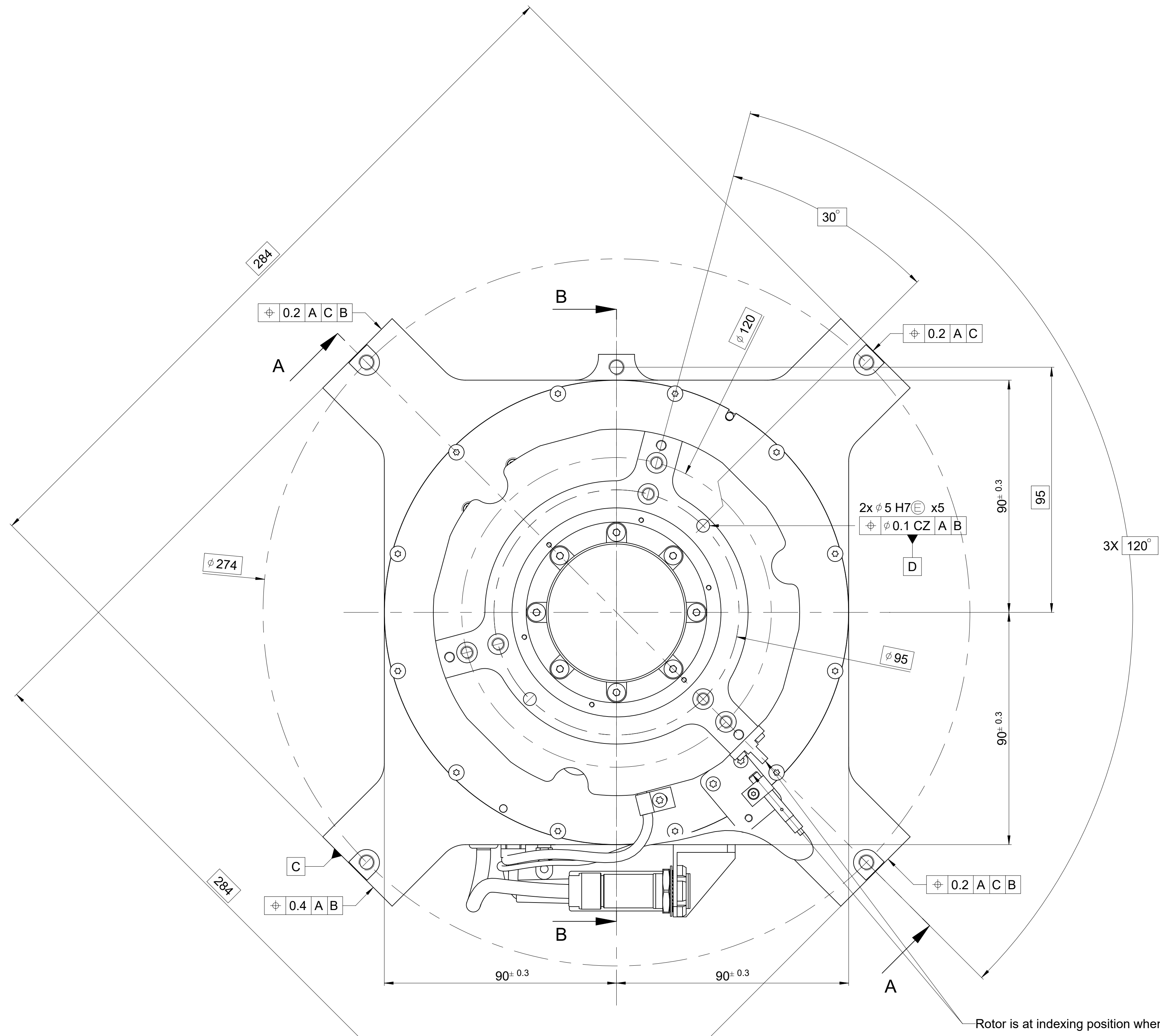
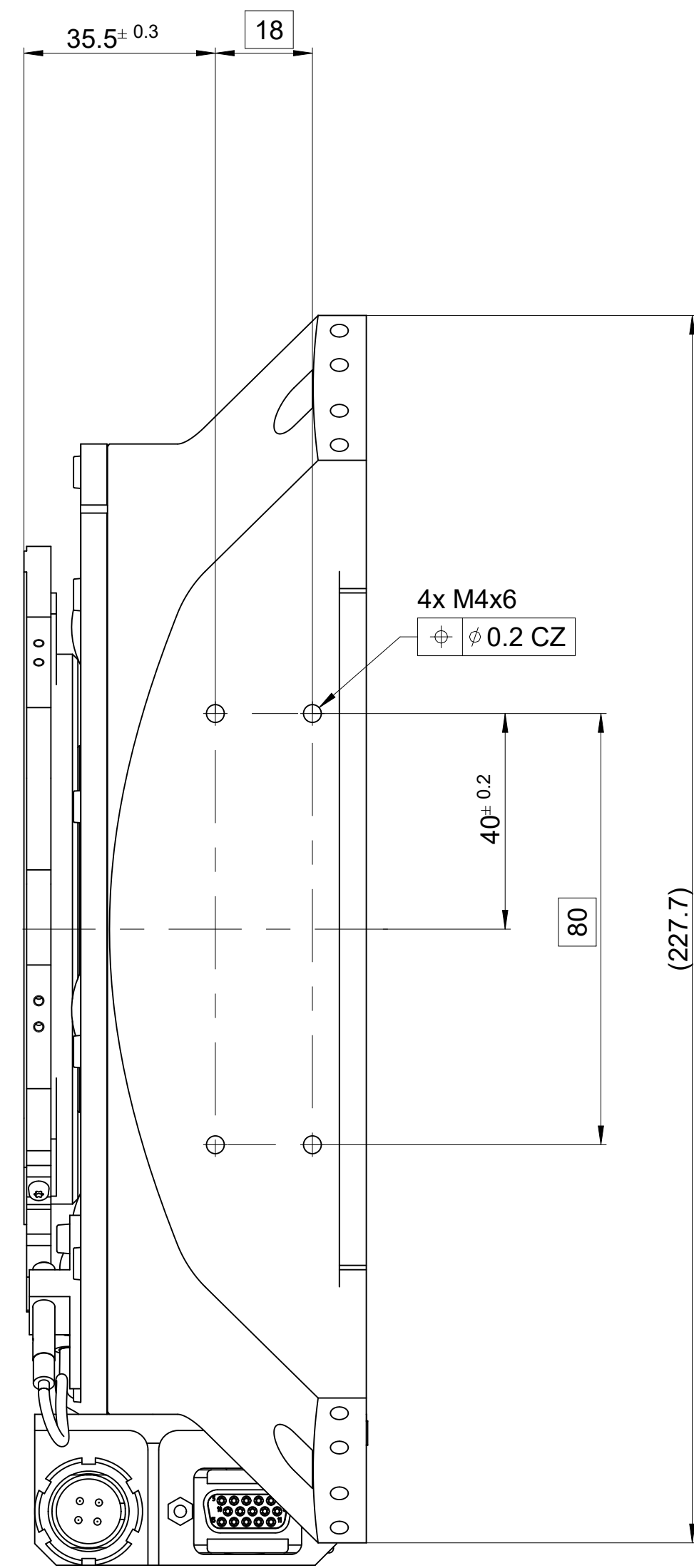
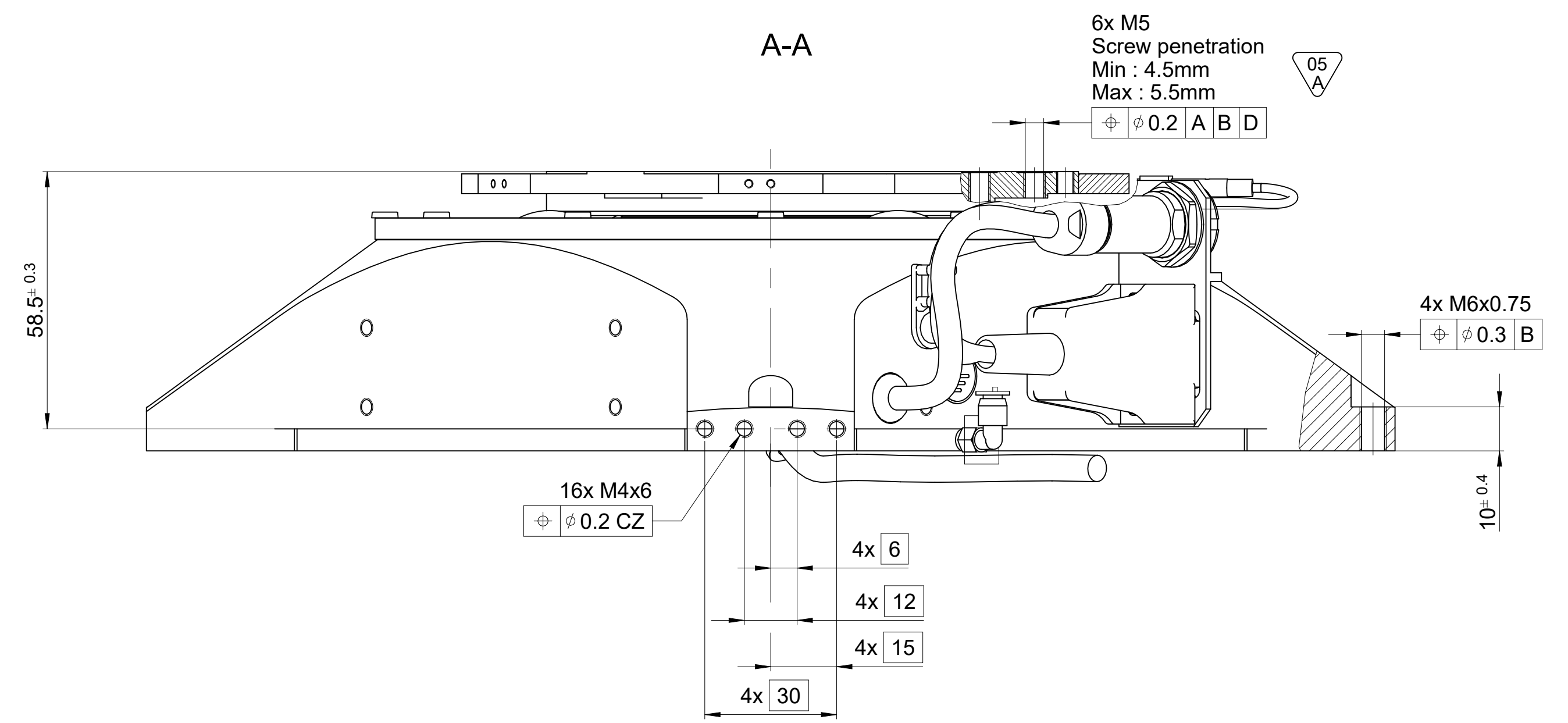
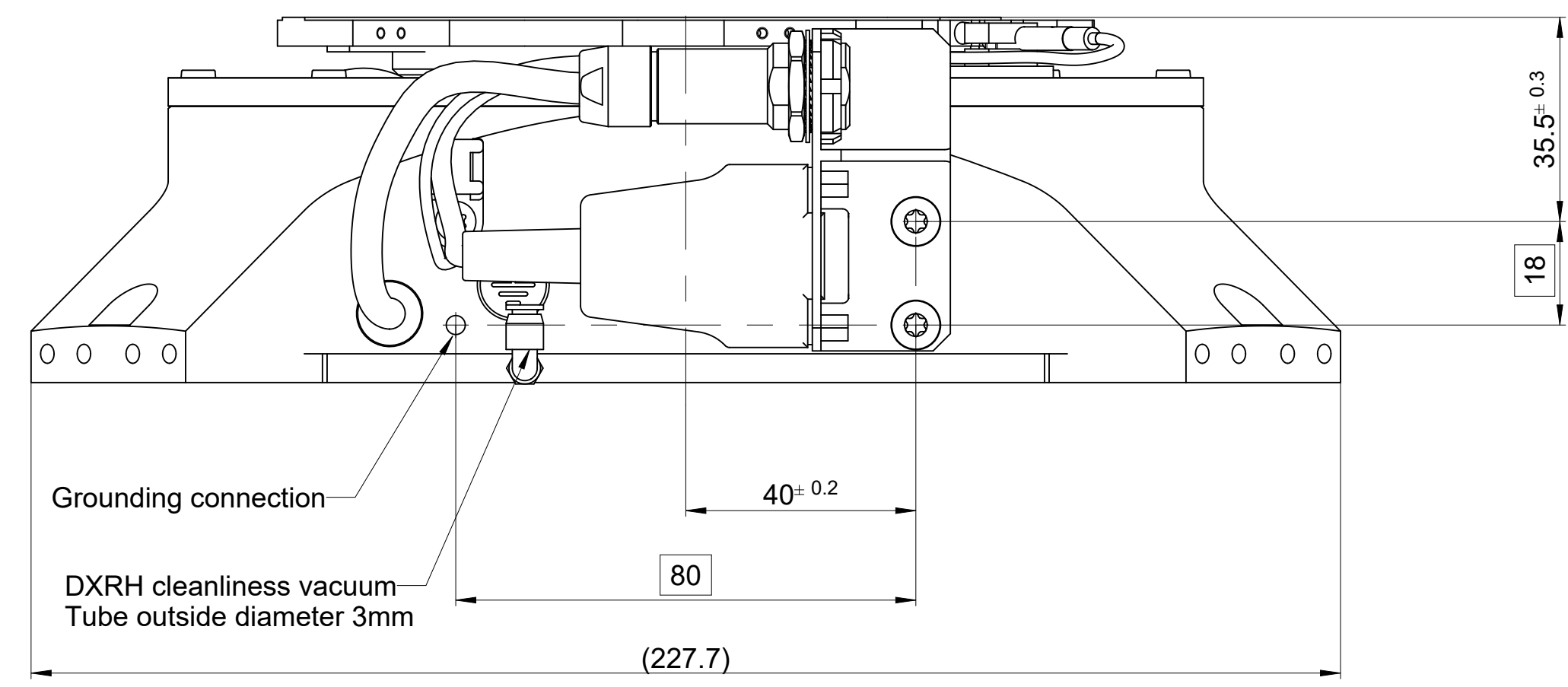
Note: ETEL recommends to keep a clearance relative to the motion system's footprint of 60mm for accessibility and servicing purpose, the minimum acceptable clearance being 20mm

It is required to mount Charon 2 stages on a granite or equivalent flat surface with a flatness inferior or equal to 3 microns

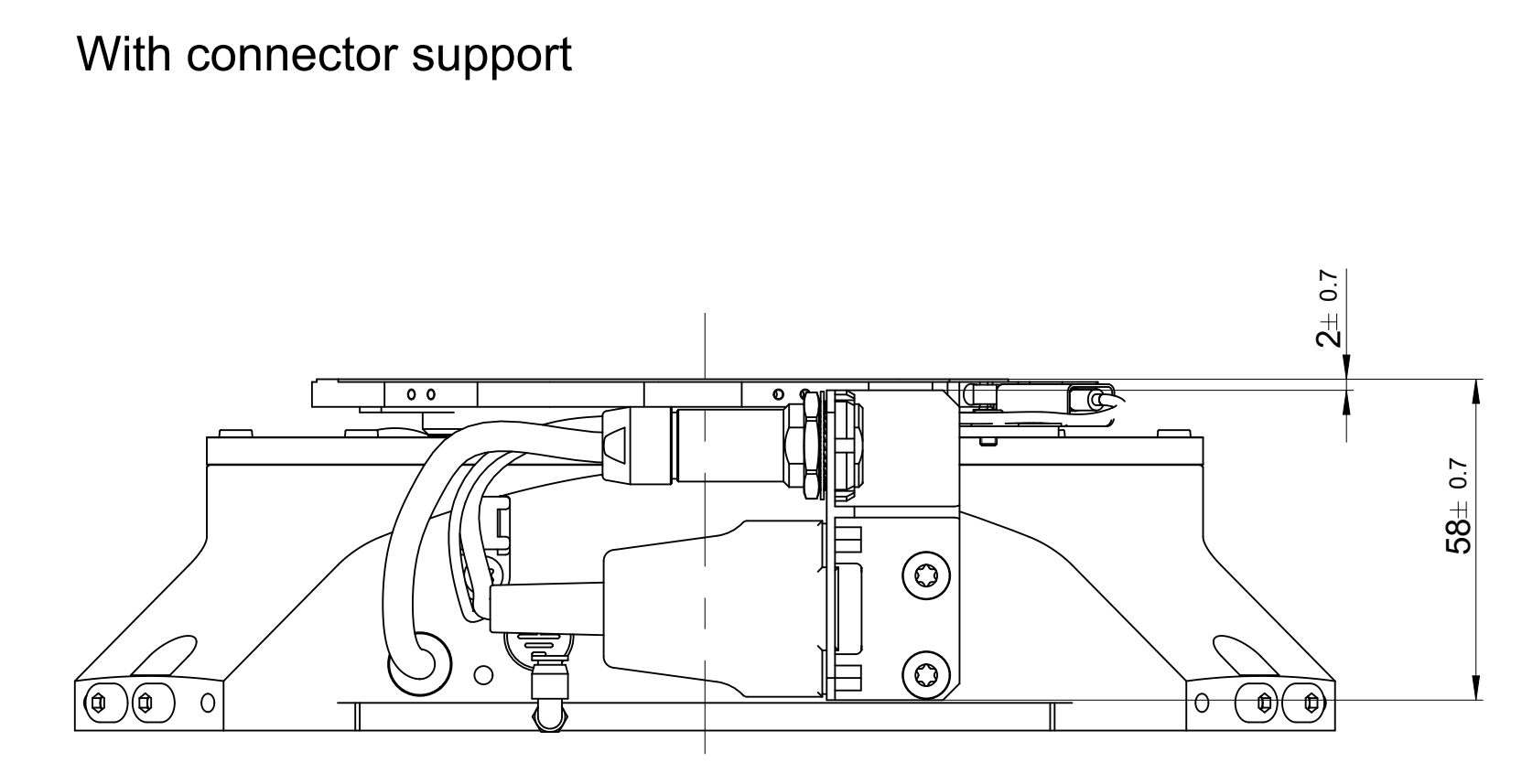
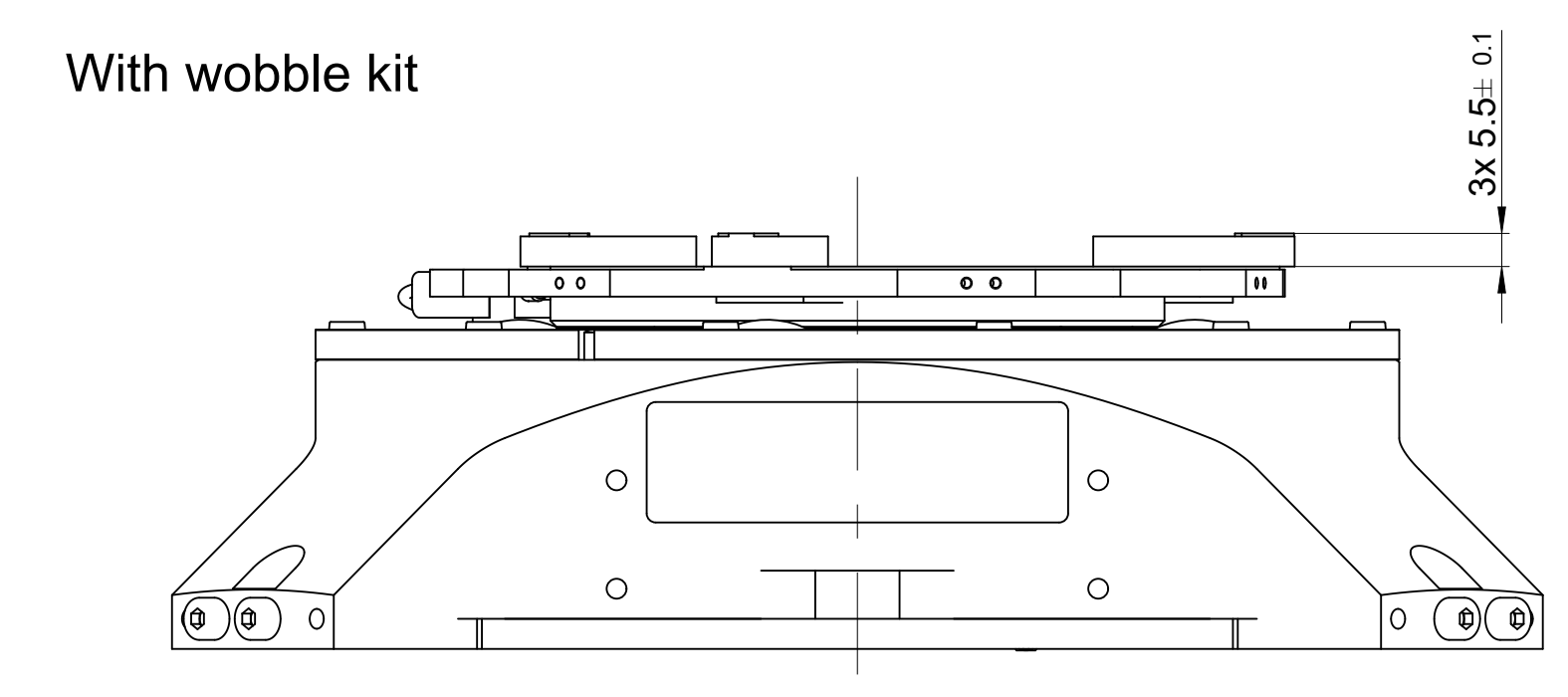
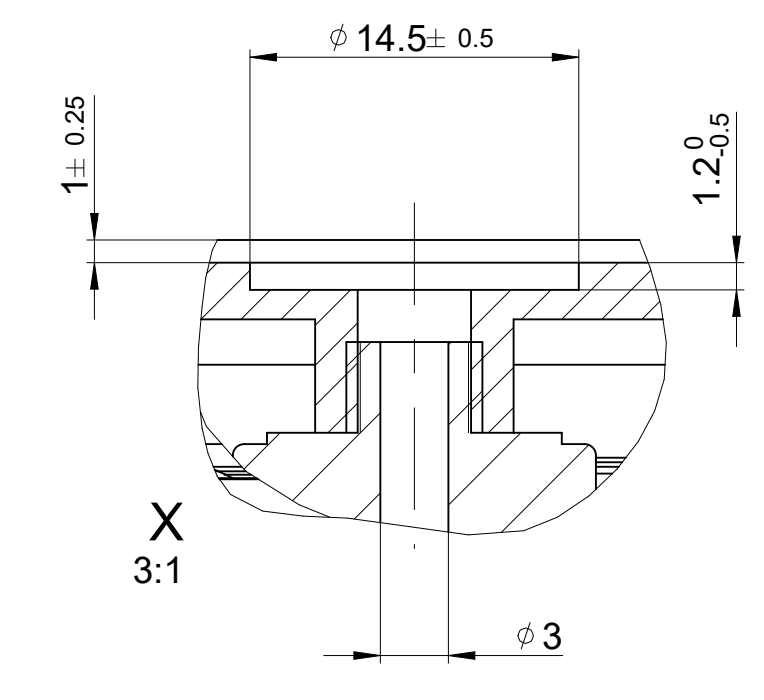
DXRH Options table	
Wobble kit	No
Kit vacuum Theta infinite	Yes
Connector support	No
364° hard stop	No
4 interface legs	Integrated
60°-300° hard stop	No



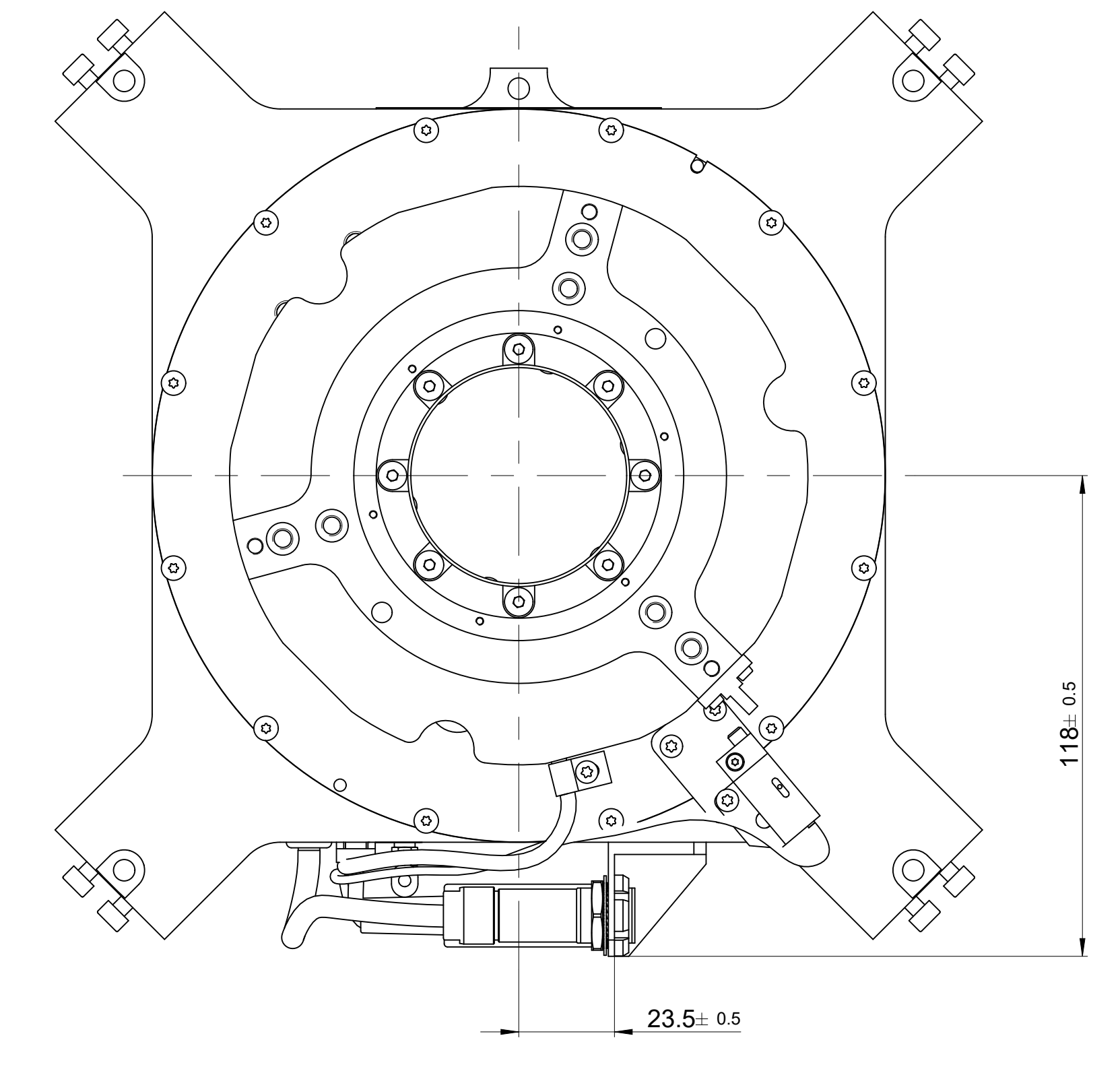
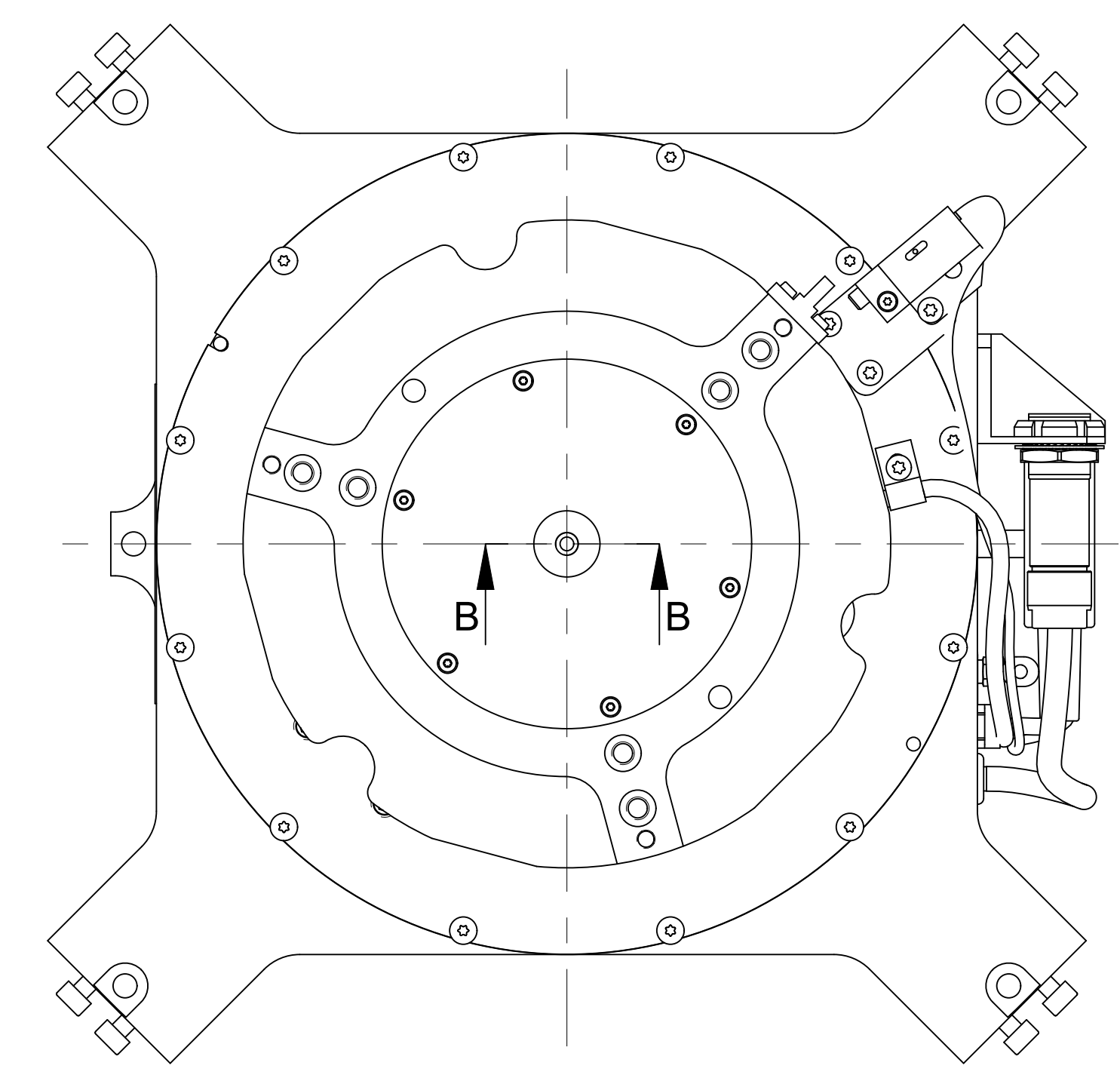
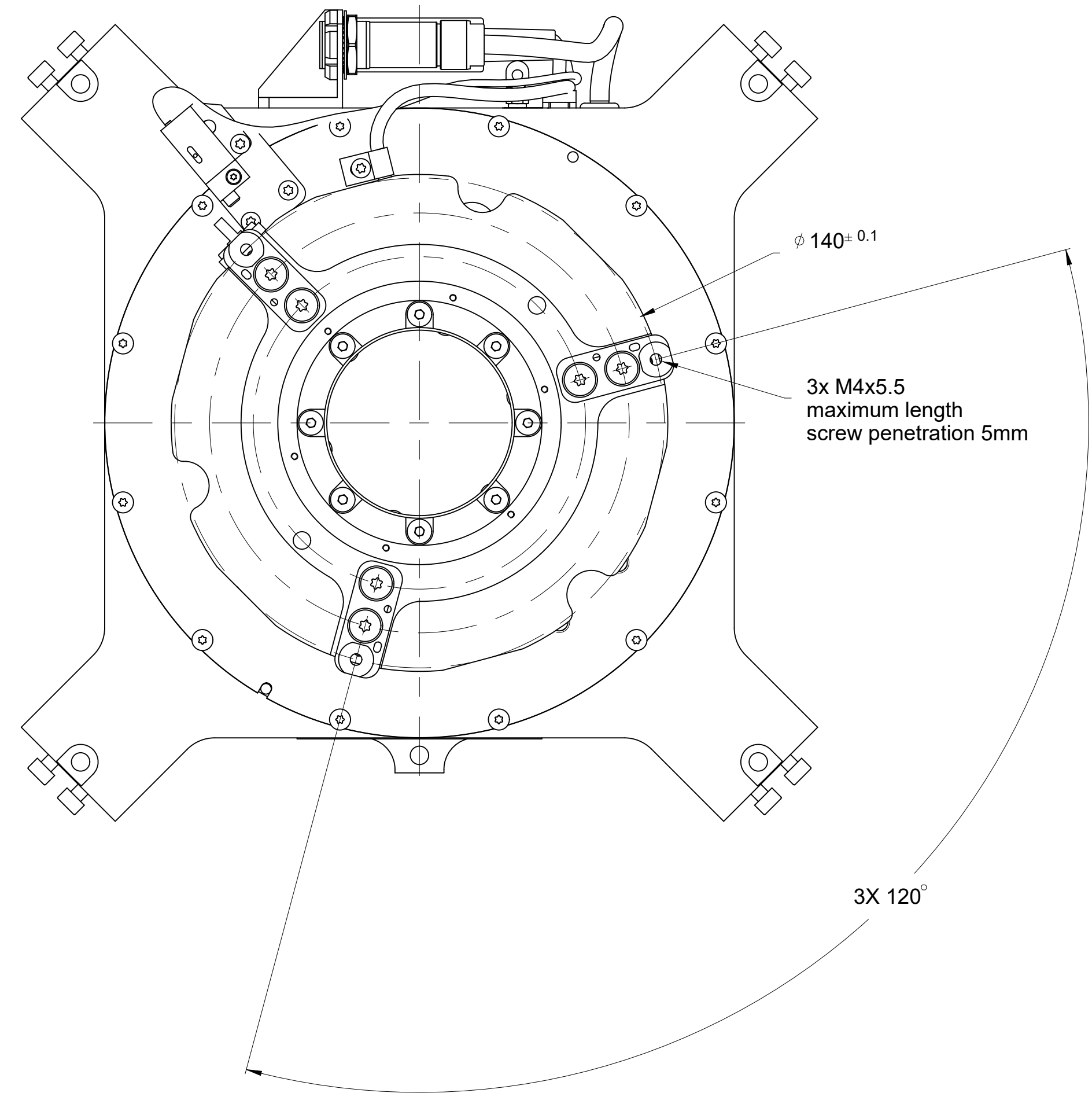
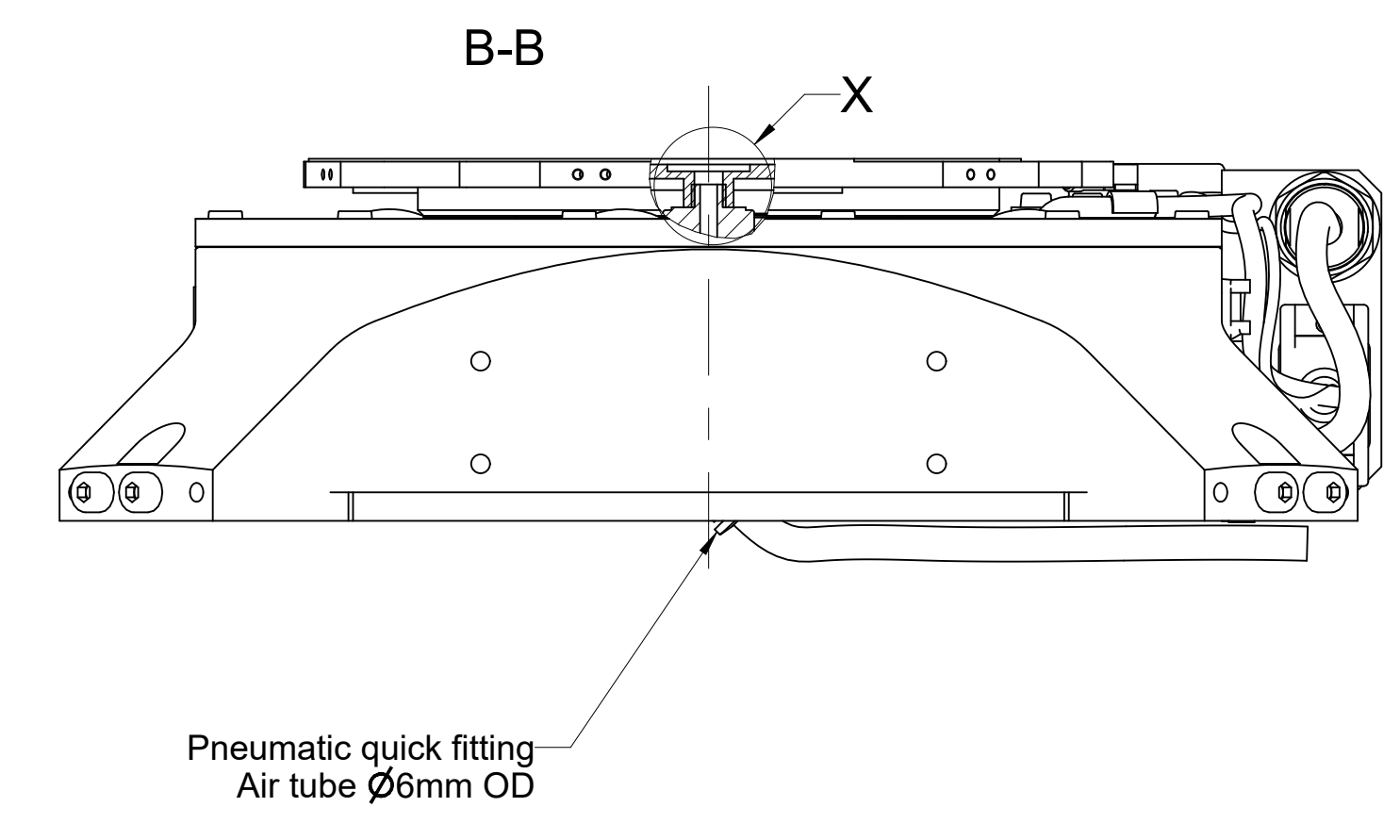
Text:		ID number:	1372595-01
Original drawing	ASME-NNNN-03-0365-0355xx-XYT STACKED SYSTEM	Change No.	C13371842
State: 1 Format:	CHARON 2 HD - XY DXRH 365x355 (standard)	Released:	14.10.22
Dimensions in mm:	3:5 A0	Tolerances as per ISO 8015: 2011	Tolerances series ISO 8015: 2011
Mating Dimensions / Codes if environment:		Dimensions without tolerance:	0.2
<small>The reproduction, distribution and utilization of this document as well as the communication of its contents to others without express authorization is prohibited. Offenders will be held liable for the payment of damages. All rights reserved in the event of the grant of a patent, utility model or design. (ISO 15016)</small>			
ETEL S.A. 2112 Mörsch SWITZERLAND		Version / Revision / Sheet:	1 / 1 / 2
		Document number:	1384097-01 - A-01



Text: Screw penetration: Define min / max		ID number: 1285346-01	
Original drawing	Scale: 1:1	Format: A0	Change No.: C139467-25
RoHS	1:1	A0	Released: 16-05-2022
DXRH0180-020 - full options		Material: Matiere:	
DXRH0180-020 - toutes options			
Dimensions in mm / Cotes en mm	General tolerances ISO 2768-mK	Surface as per ISO 1302	
Workpiece edges ISO 13715	Tolerances générales ISO 2768-mK	Etats de surface selon ISO 1302	
Surfaces as per ISO 1302		Traitement de surface:	
Tolerances as per ISO 8015 : 2011		Surface treatment:	
Tolerances selon ISO 8015 : 2011		Traitement de surface:	
The reproduction, distribution and utilization of this document as well as the communication of its contents to others without express authorization is prohibited. Offenders will be held liable for the payment of damages. All rights reserved in the event of the grant of a patent, utility model or design. (ISO 16016)			
ETEL S.A. 2112 Môtres SWITZERLAND		Version (Revision/Sheet): Page 3 of 3	
ETEL		1323364-05-A-01	

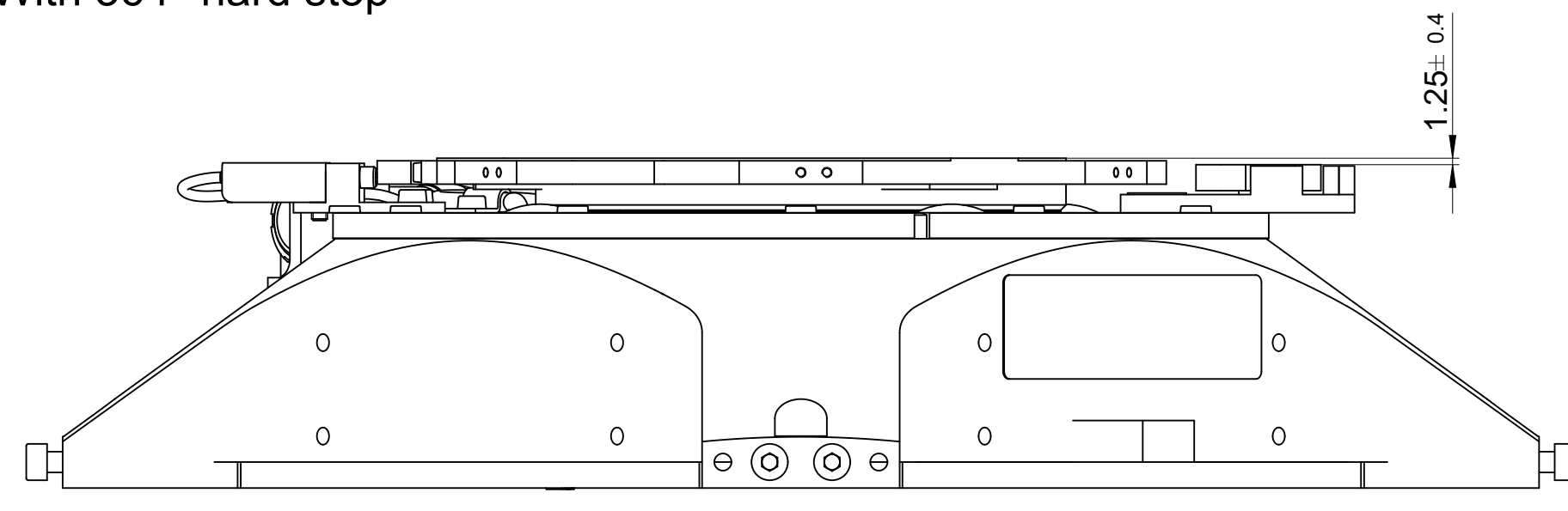


Kit Vacuum Theta Infinite

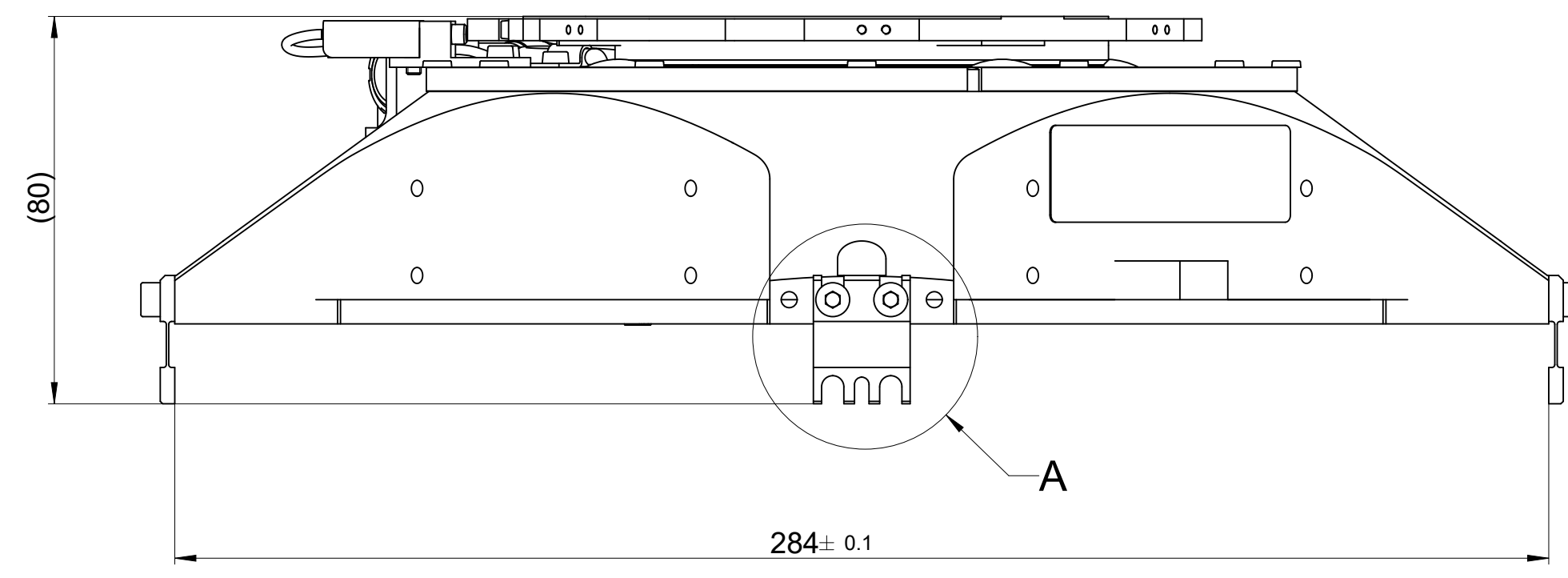


Text: Screw penetration: Define min / max		ID number: 1285346-01	
Original drawing	Scale: 4:5	Format: A0	Change No.: C139467-25
RoHS	4:5	A0	Revised: 16-05-2022
DXRH0180-020 - full options		Material: Matiere:	
DXRH0180-020 - toutes options		Material: Matiere:	
Dimensions in mm / Cotes en mm	Mating Dimensions / Cotes d'assemblage	Surface as per ISO 1302	
Workpiece edges ISO 13715	General tolerances ISO 2768-mK	Surface as per ISO 1302	
Etats de formes selon ISO 13715	Tolerances generales ISO 2768-mK	Etat de surface selon ISO 1302	
±0.1	±0.3	±0.3	
±0.3	±0.0	±0.0	
±0.0	Tolerances as per ISO 8015:2011	Surface treatment:	
±0.0	Tolerances selon ISO 8015:2011	Traitement de surface:	
The reproduction, distribution and utilization of this document as well as the communication of its contents to others without express authorization is prohibited. Offenders will be held liable for the payment of damages. All rights reserved in the event of the grant of a patent, utility model or design. (ISO 15071)			
ETEL S.A. 2112 Môtres SWITZERLAND		Version (Revision/Sheet): Page 2 of 3	
1323364-05-A-01		Document number	

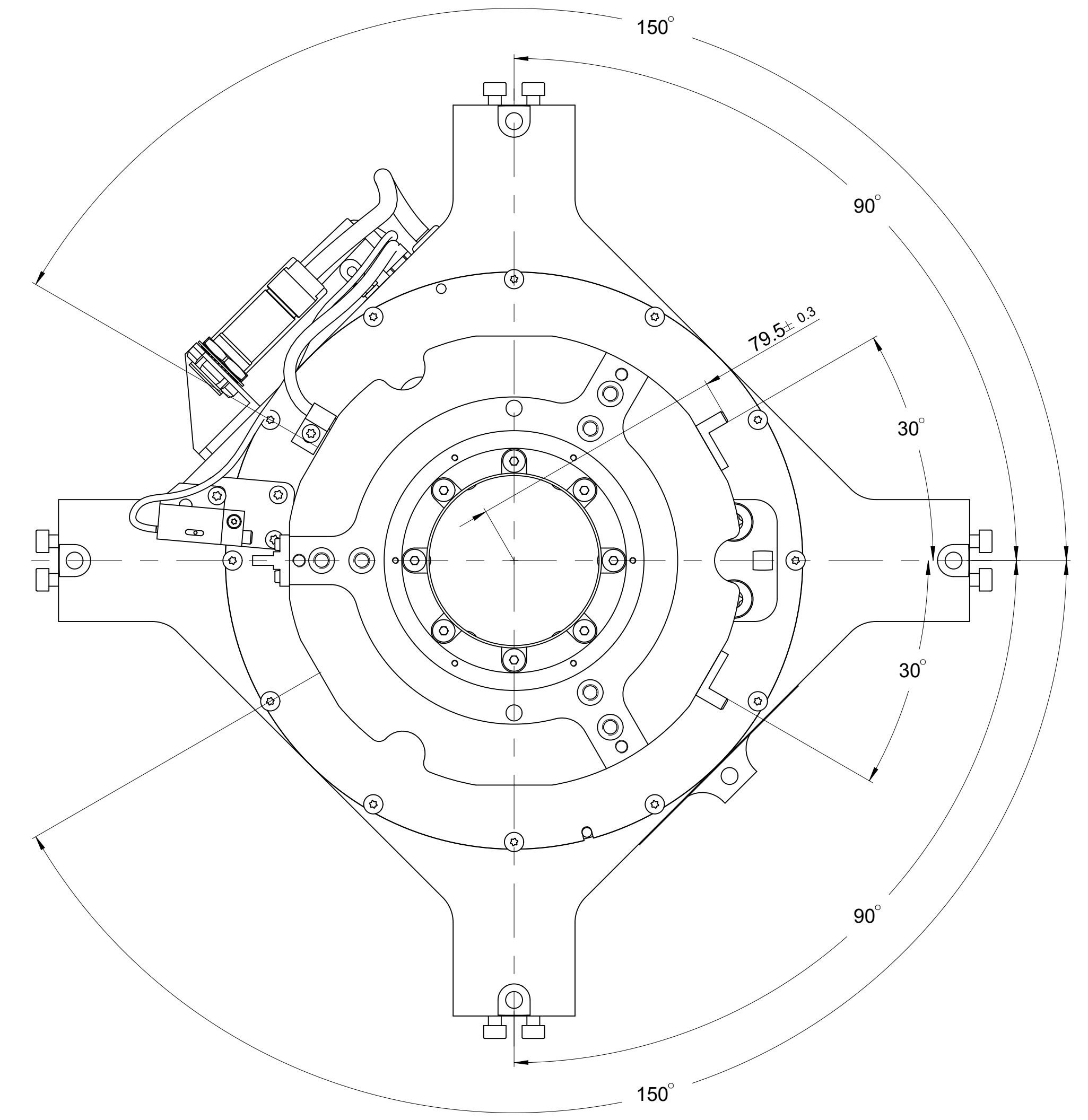
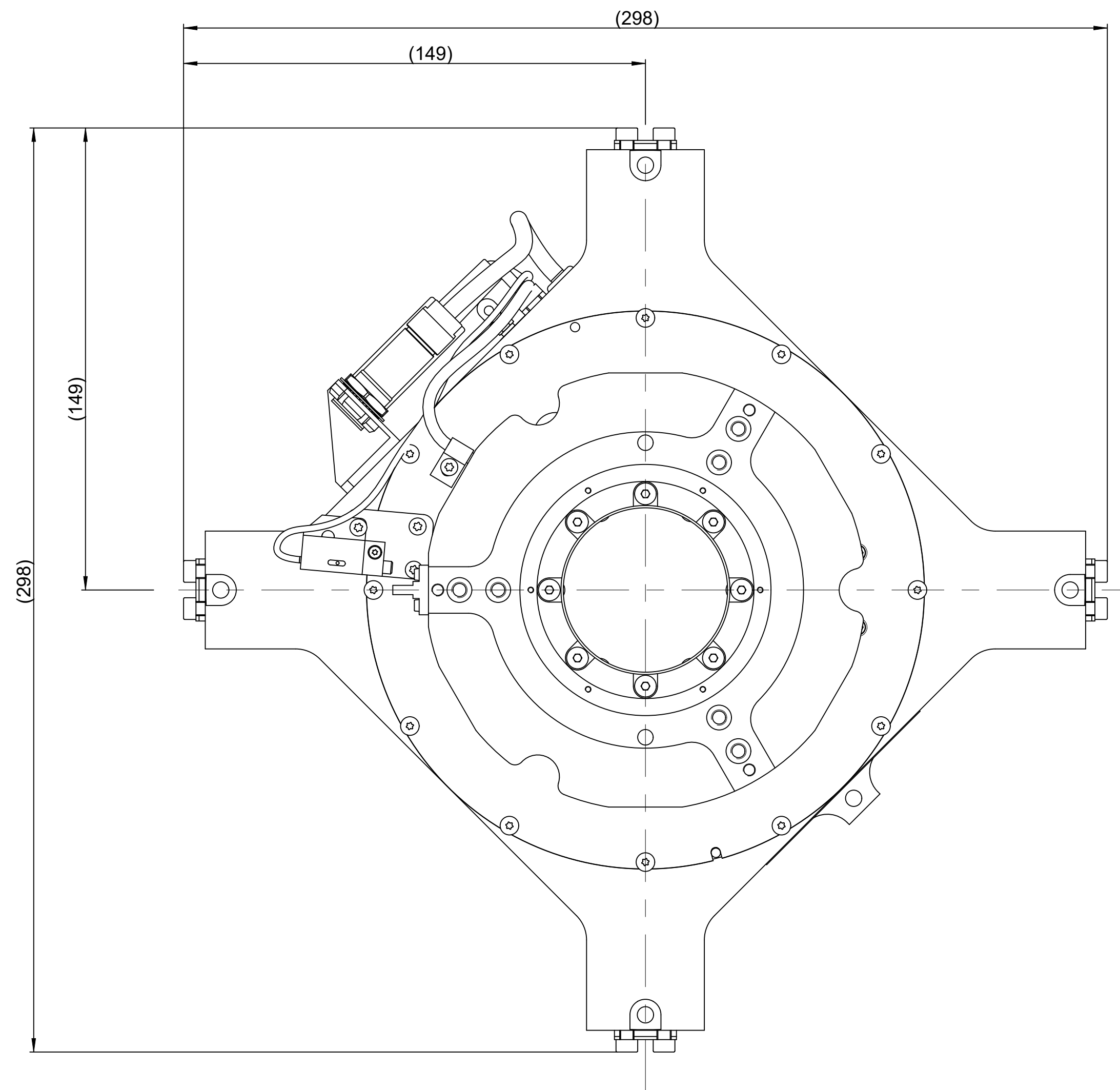
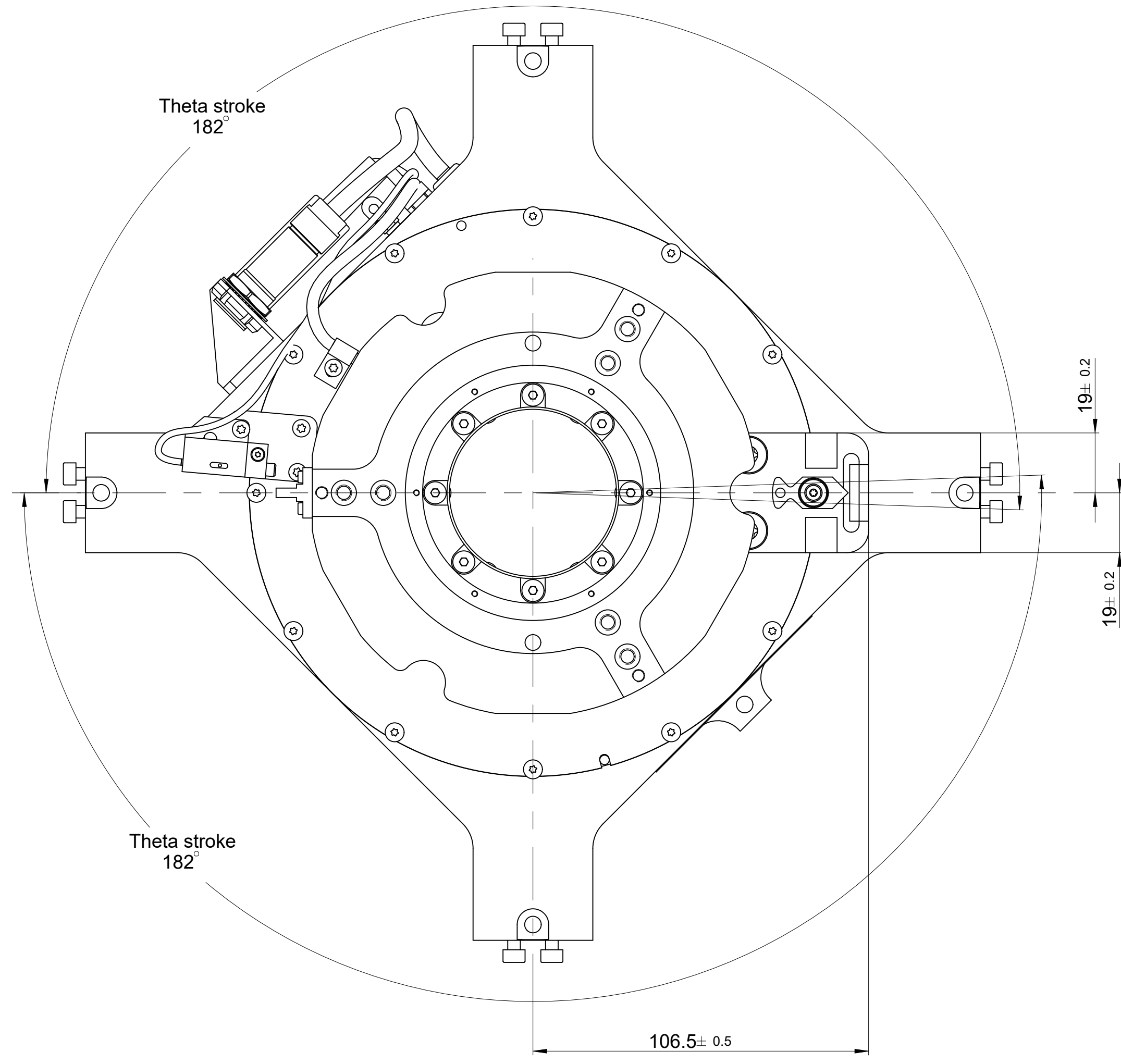
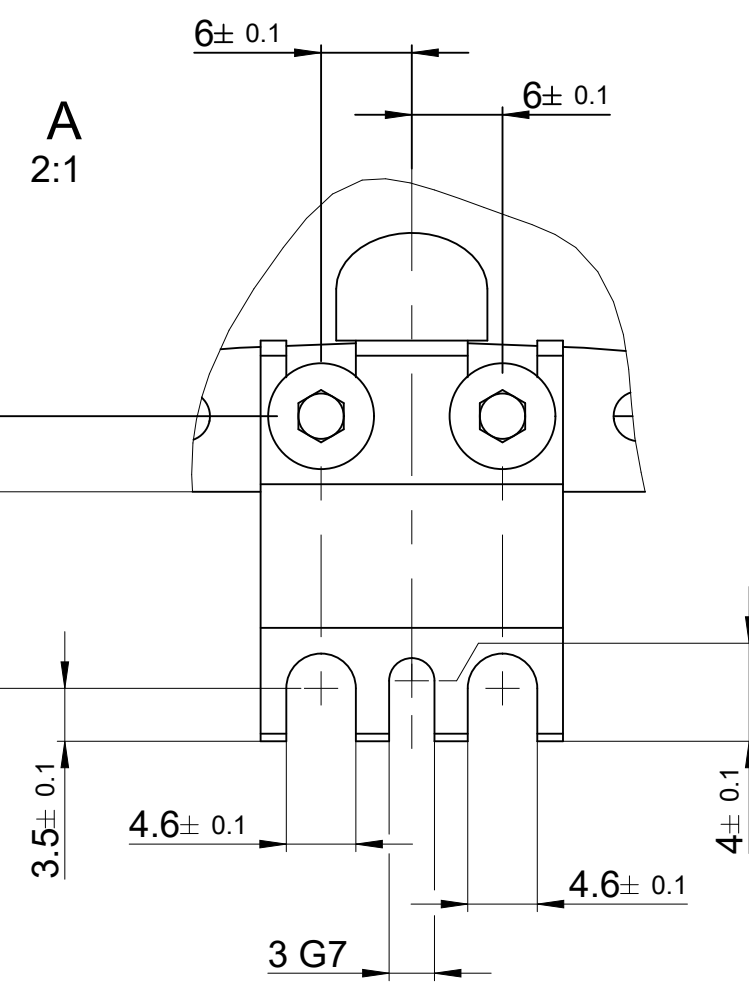
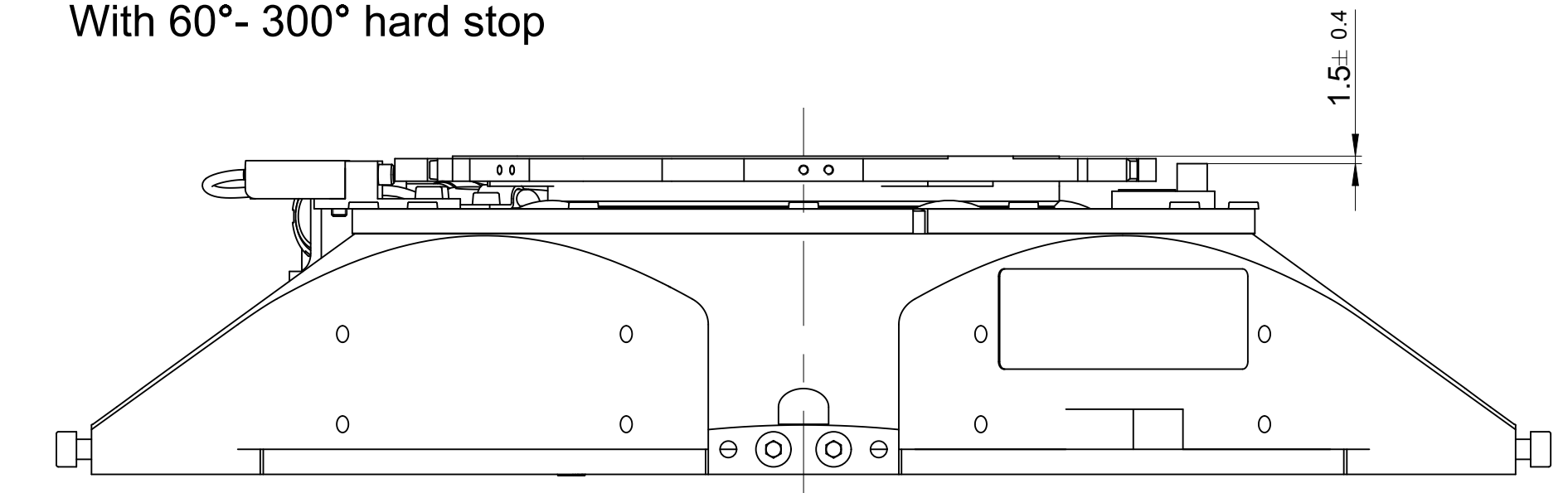
With 364° hard stop



With kit 4 interface legs



With 60° - 300° hard stop



Text: Screw penetration: Define min / max		ID number: 1285346-01	
Original drawing	Scale	Format	Change No. C139467-25
RoHS 4:5	A0	DXRH0180-020 - full options	Released: 16-05-2022
Dimensions in mm / Cotes en mm		Material: Matiere:	
Workpiece edges ISO 13715		Surface as per ISO 1302	
Etats de formes selon ISO 13715		Traitement de surface:	
General tolerances ISO 2768-mK		Surface treatment:	
Tolerances par ISO 2768-mK		Tolérances selon ISO 2768-mK	
Tolerances selon ISO 2011		Tolérances selon ISO 2011	
The reproduction, distribution and utilization of this document as well as the communication of its contents to others without express authorization is prohibited. Offenders will be held liable for the payment of damages. All rights reserved in the event of a patent, utility model or design. (ISO 16016)		Version (Revision/Sheet): Page 3 of 3	
ETEL ETEL S.A. 2112 Môtres SWITZERLAND		1323364-05-A-01	