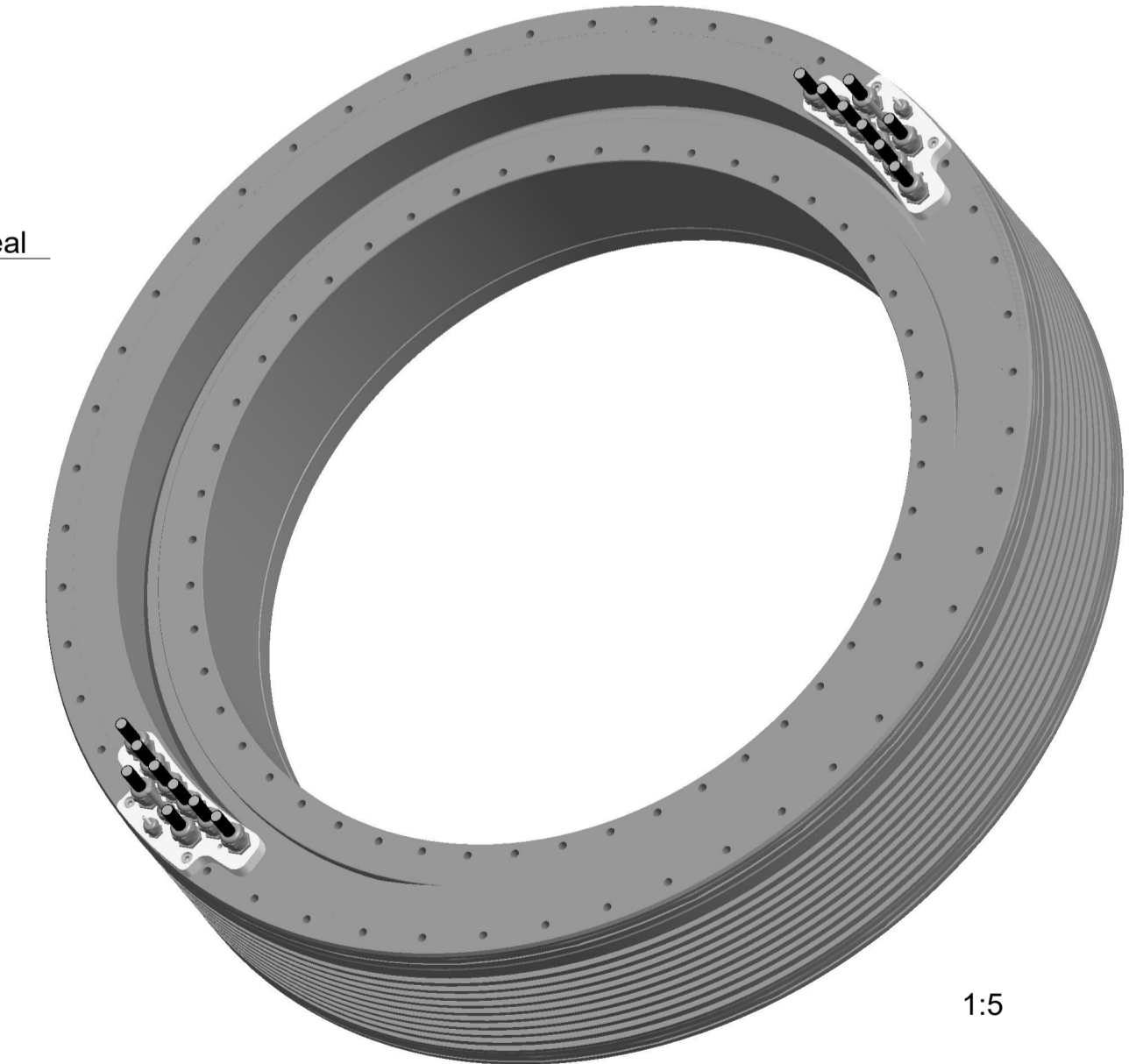
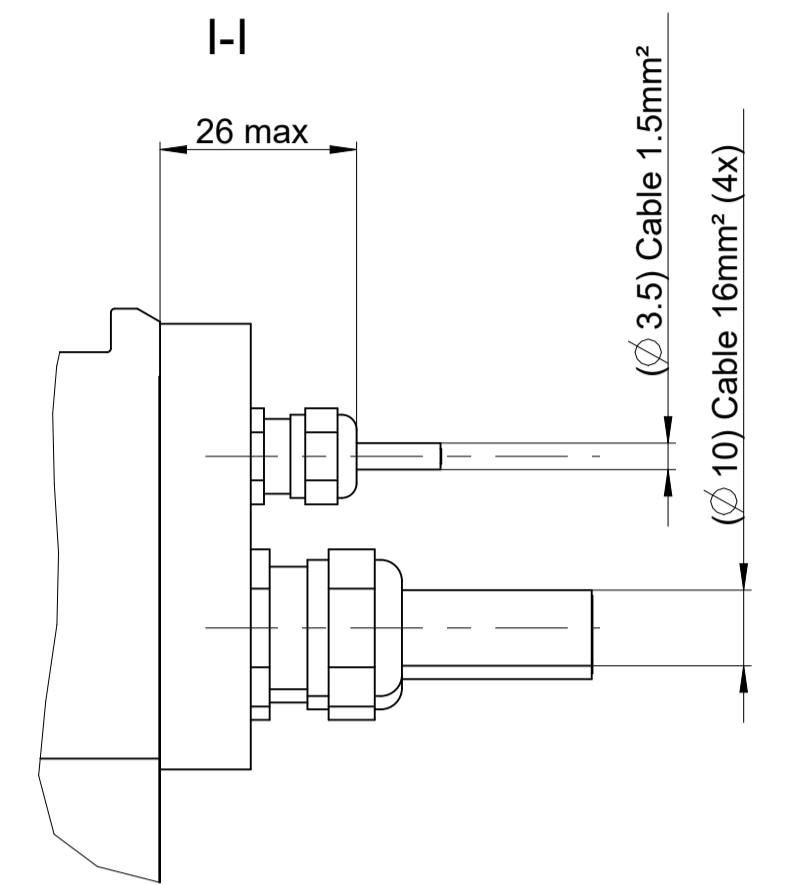
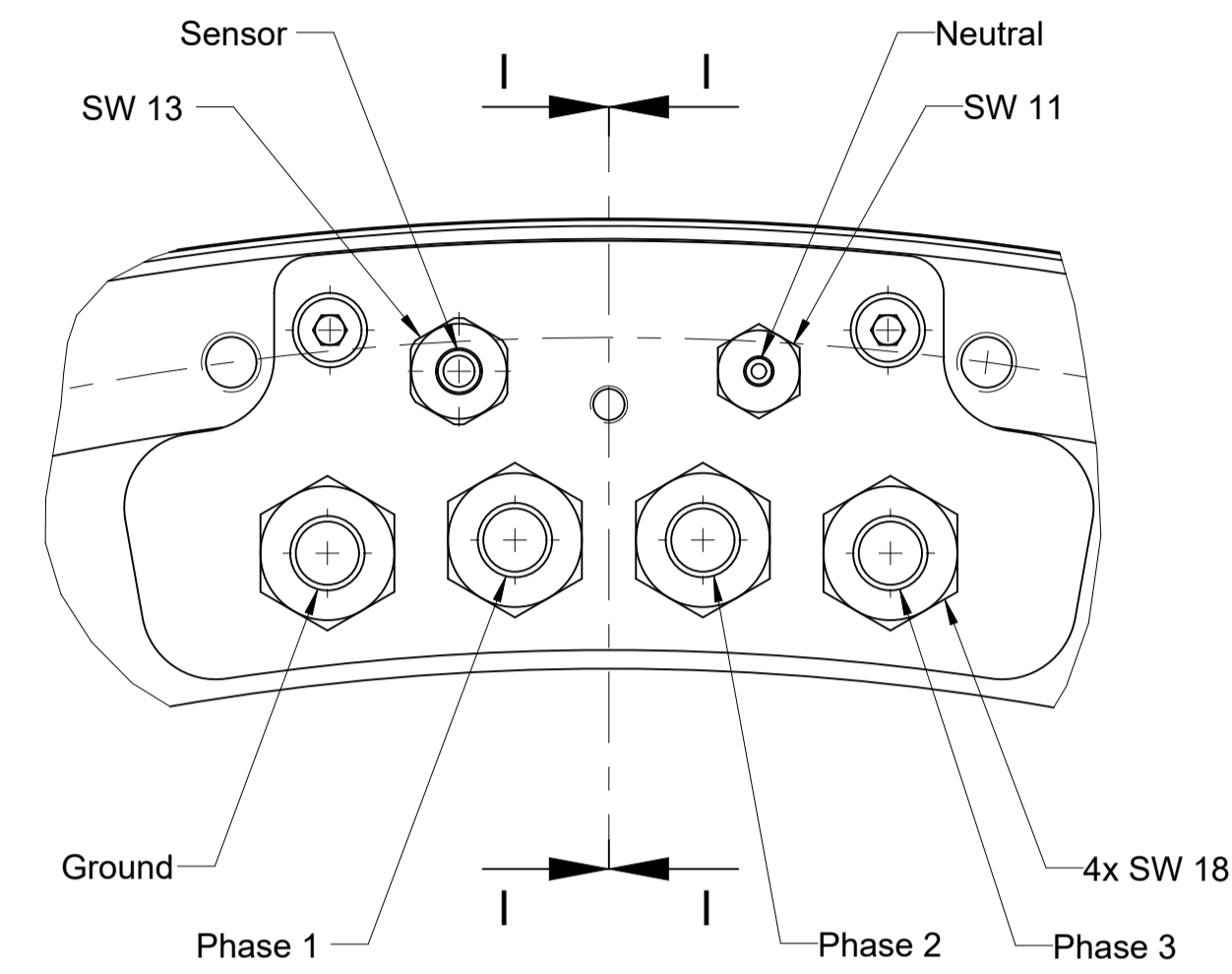
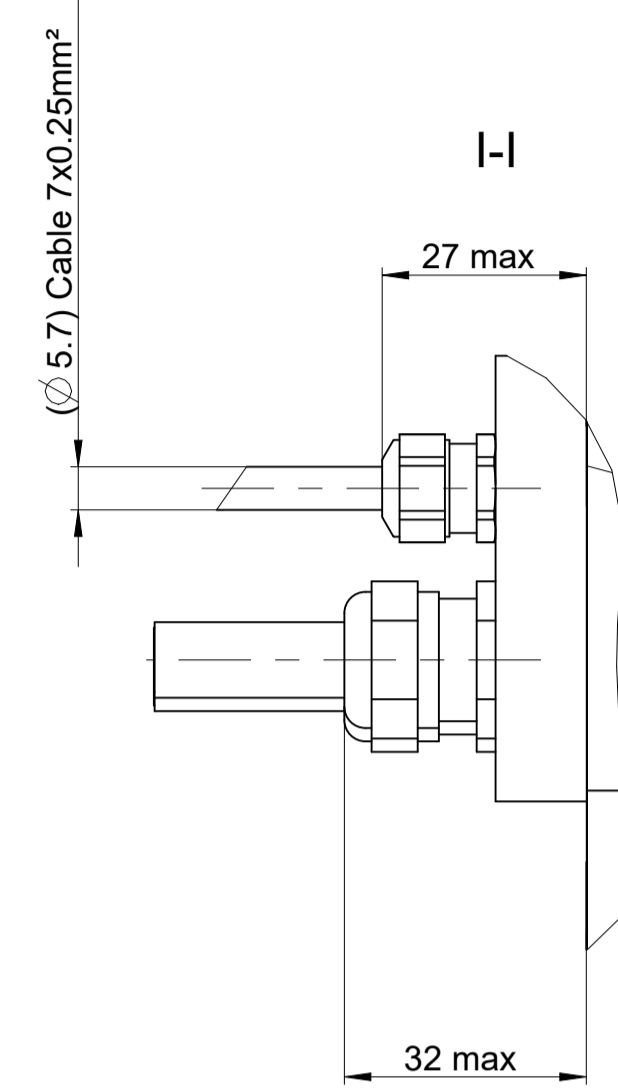
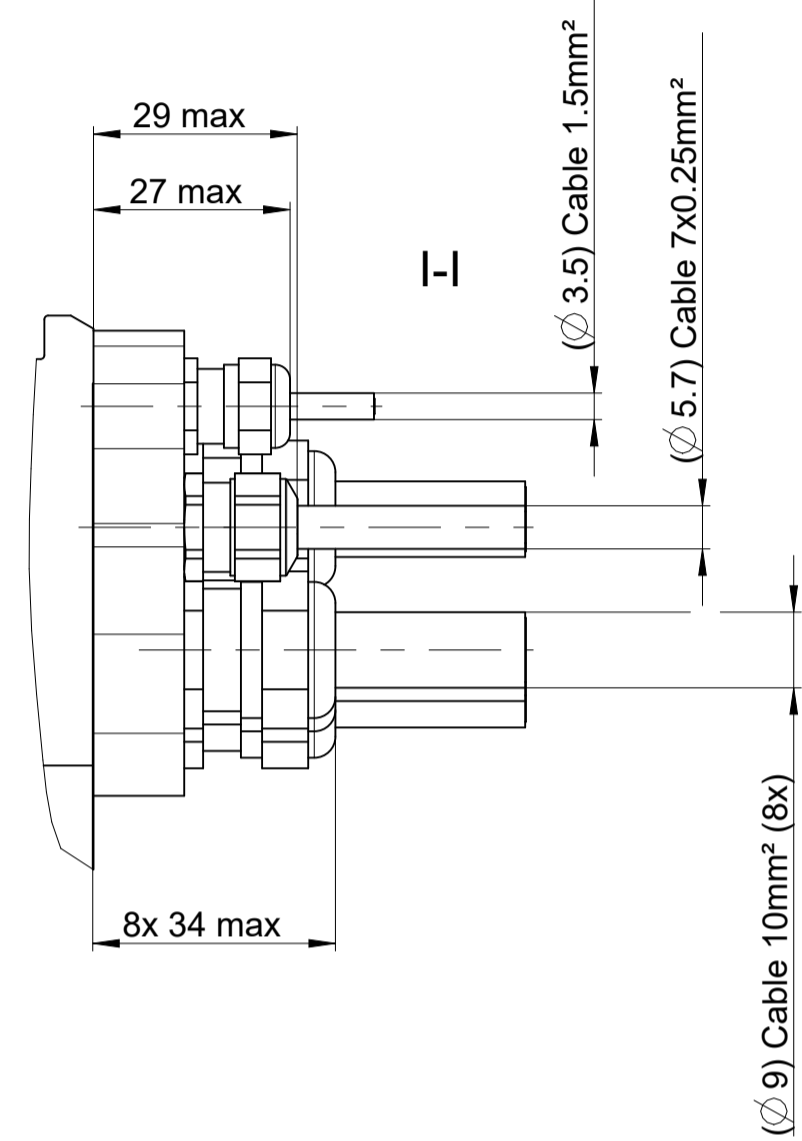
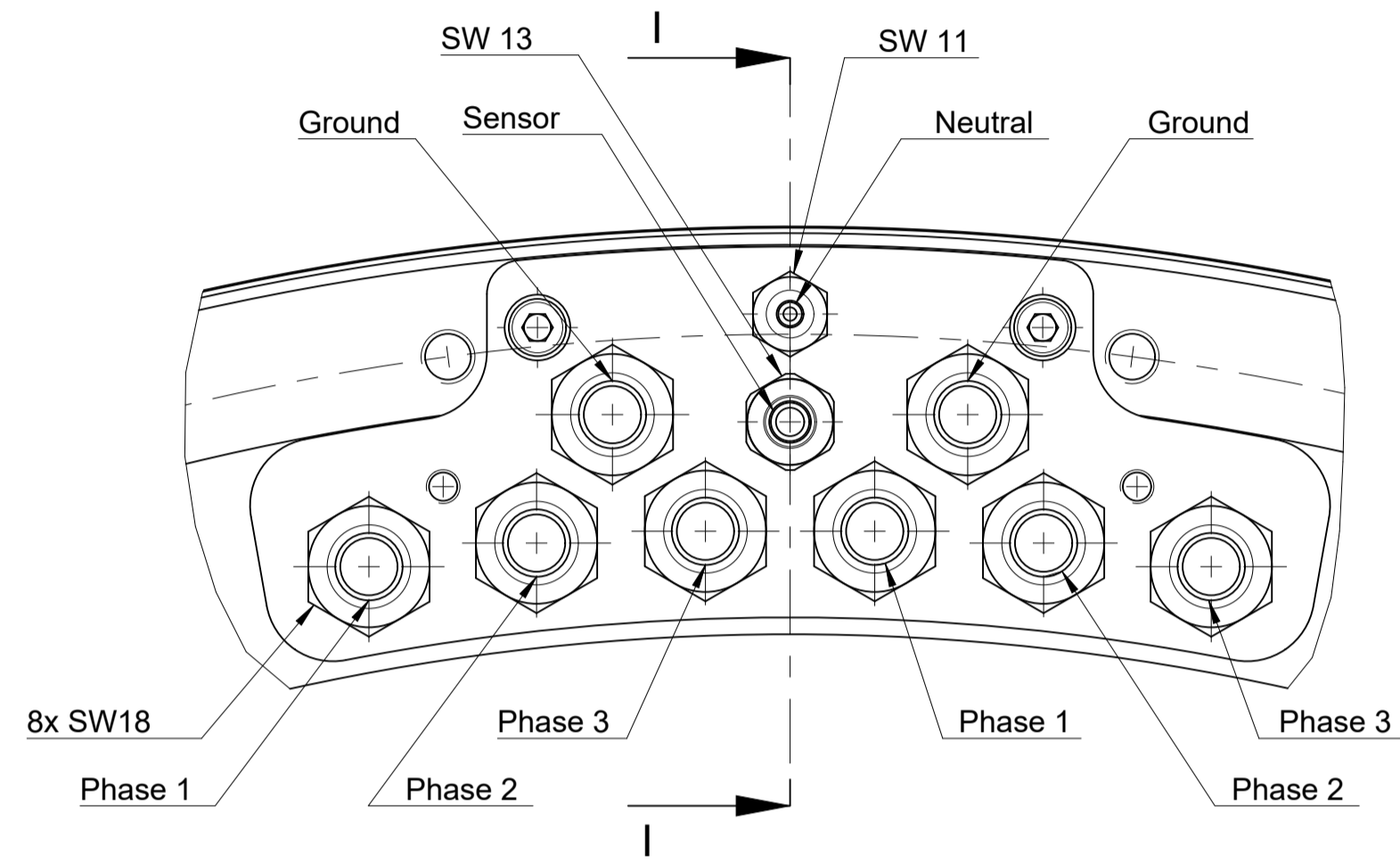


⚠ Use M8 screws with 12.9 quality to assemble rotor and stator

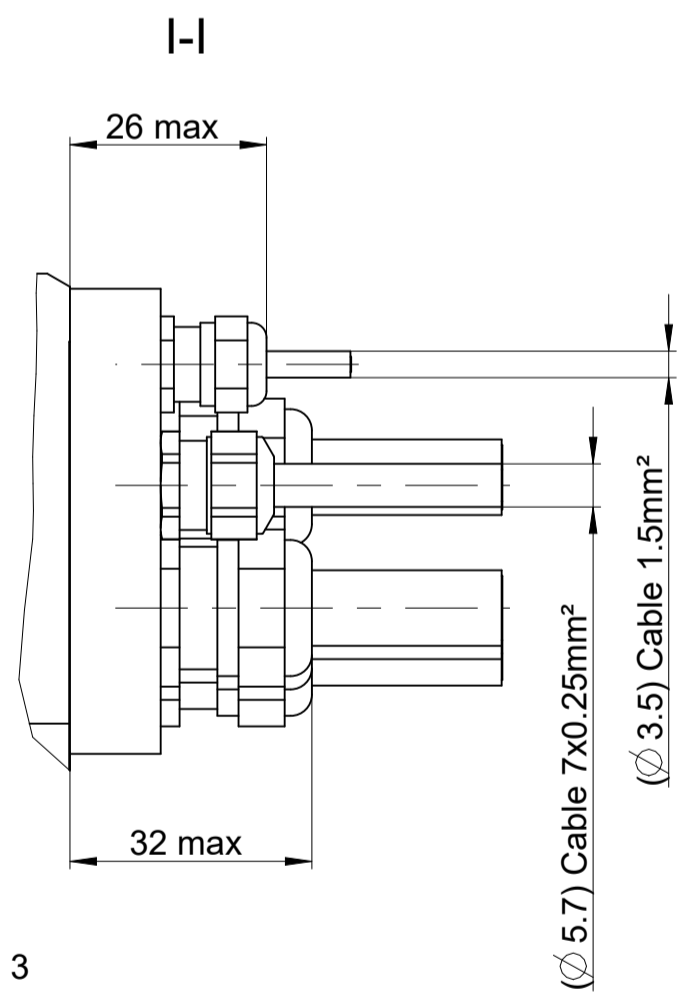
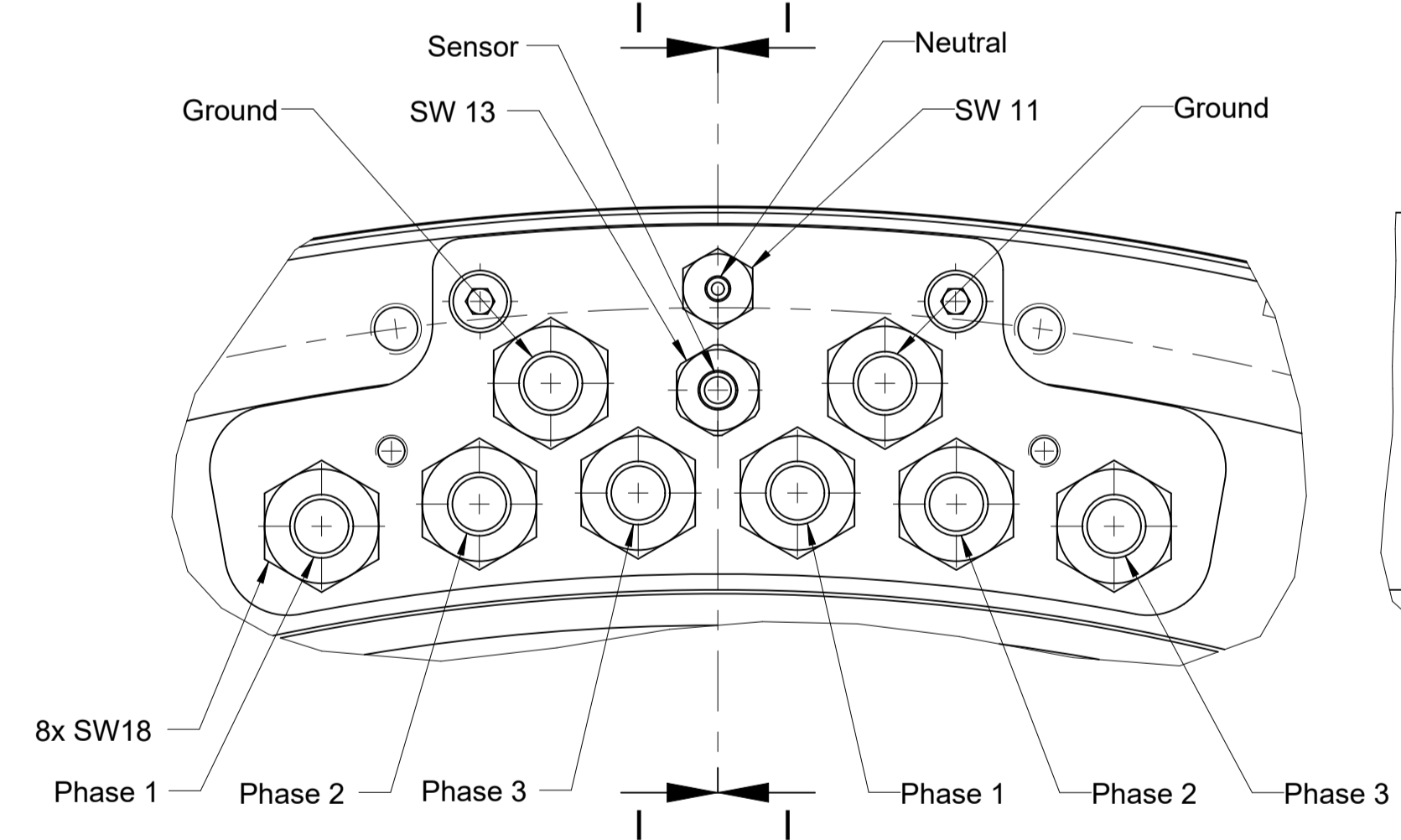
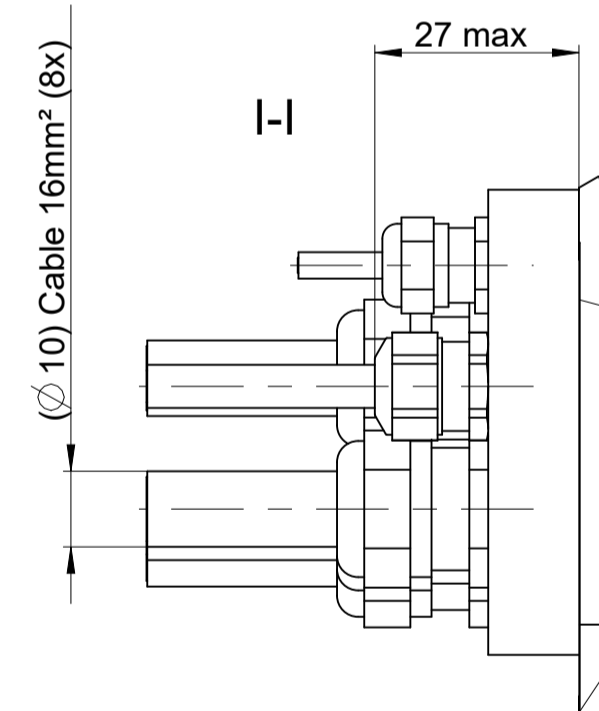
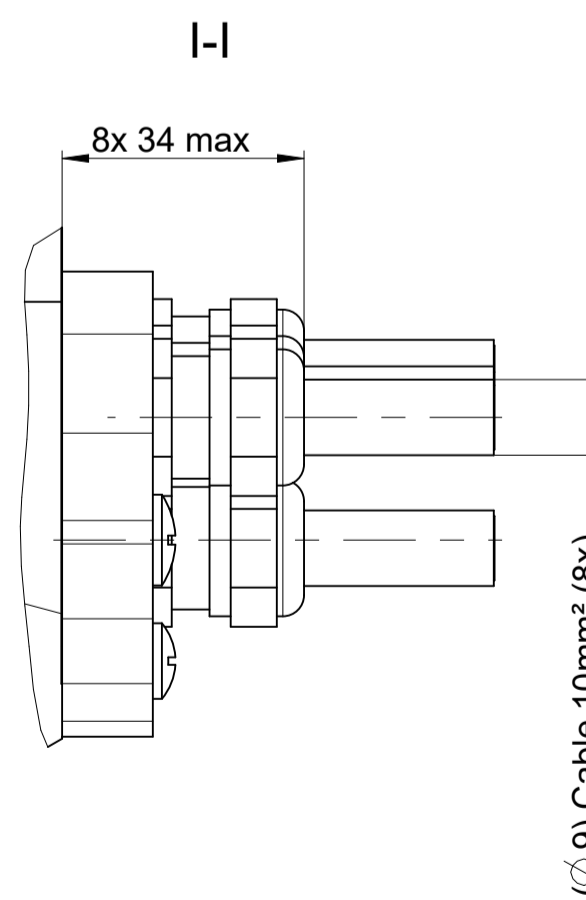
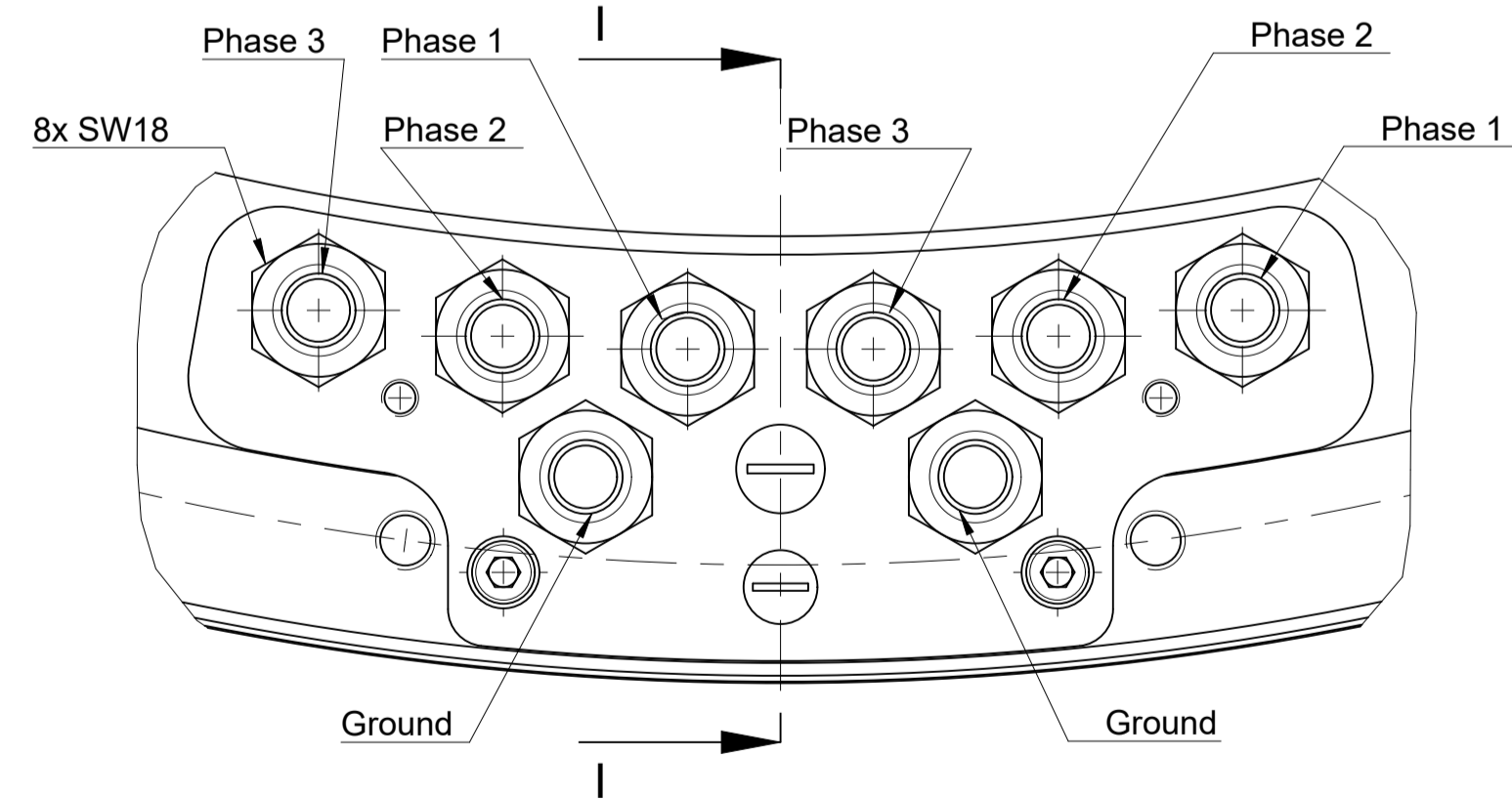
PRODUCT	L1	L2	L3	N1	N2	N3	β
Tmk-0761-050	130	81	60	24	24	12	15
Tmk-0761-070	150	101	80	24	24	12	15
Tmk-0761-100	180	131	110	48	48	23	7.5
Tmk-0761-150	230	181	160	48	48	23	7.5



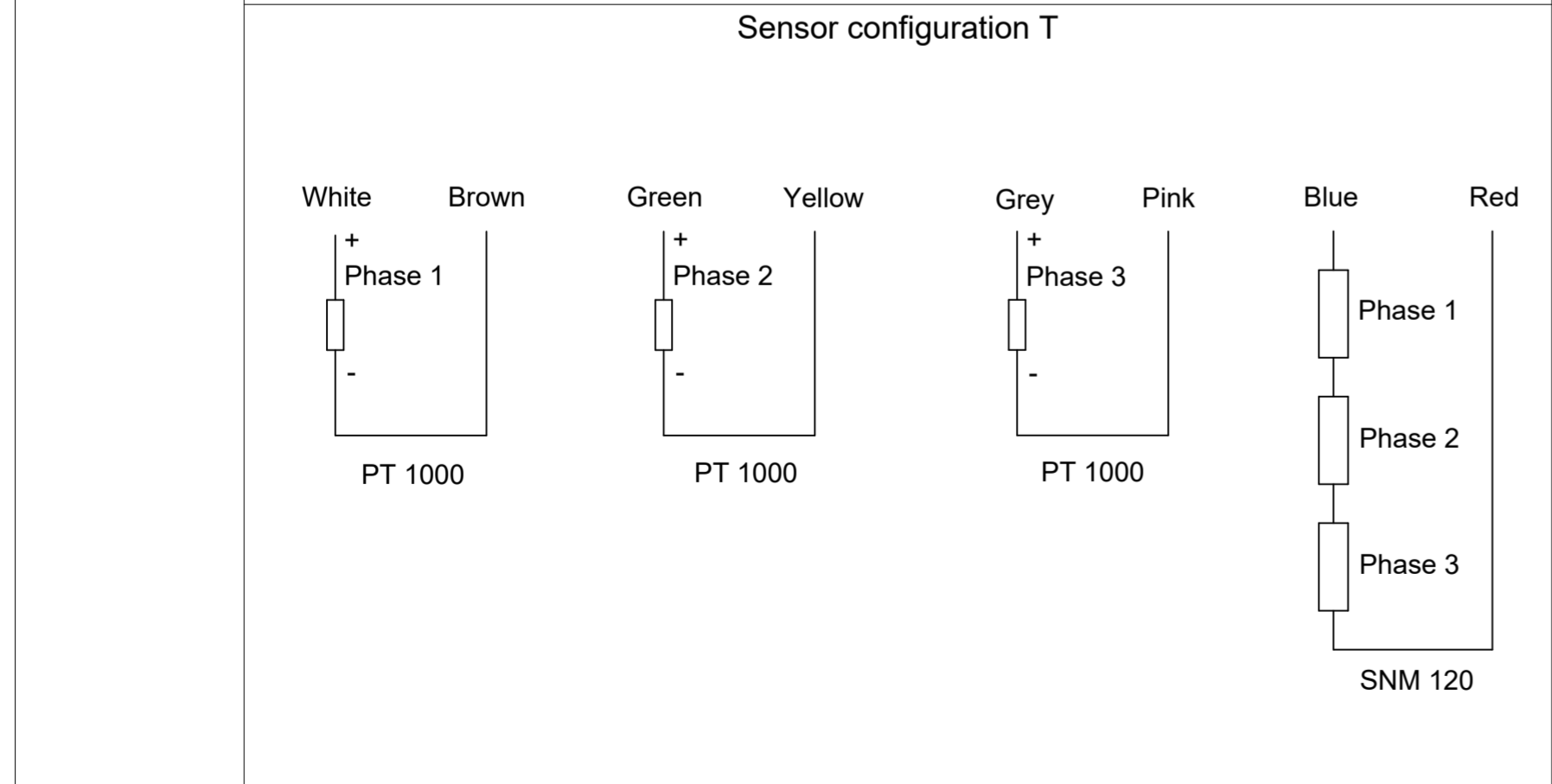
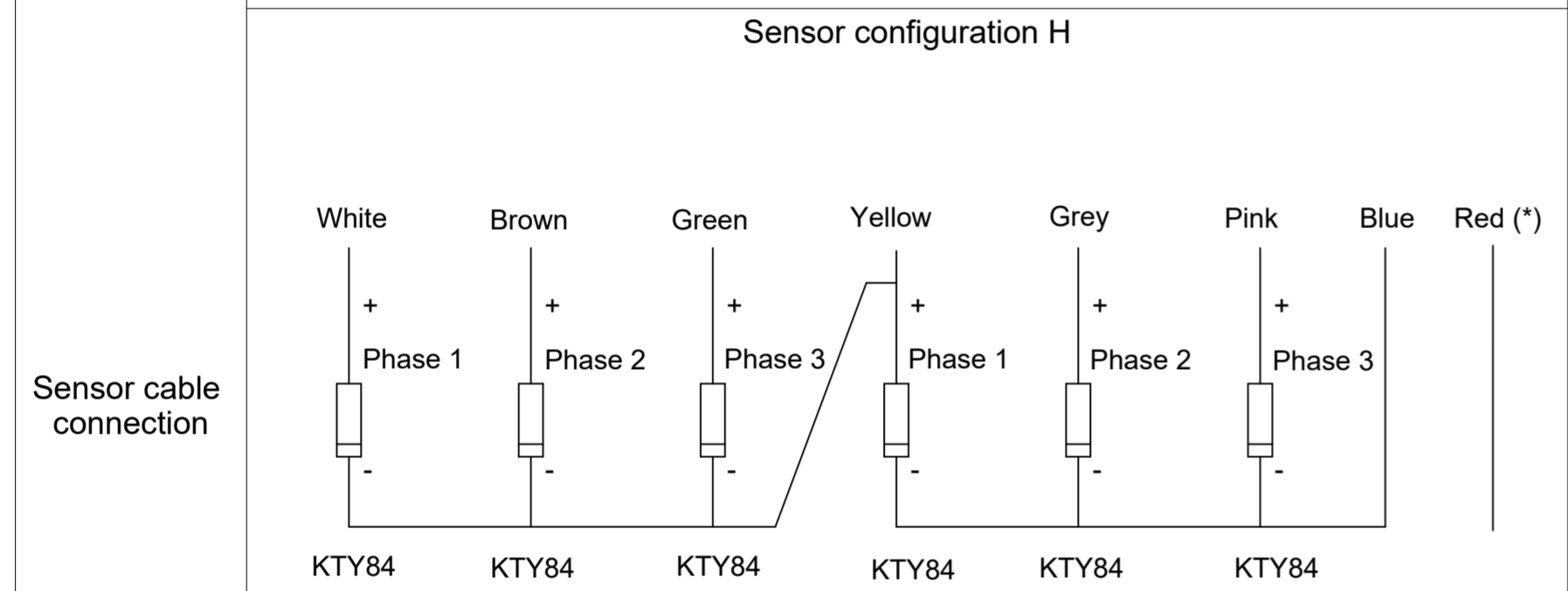
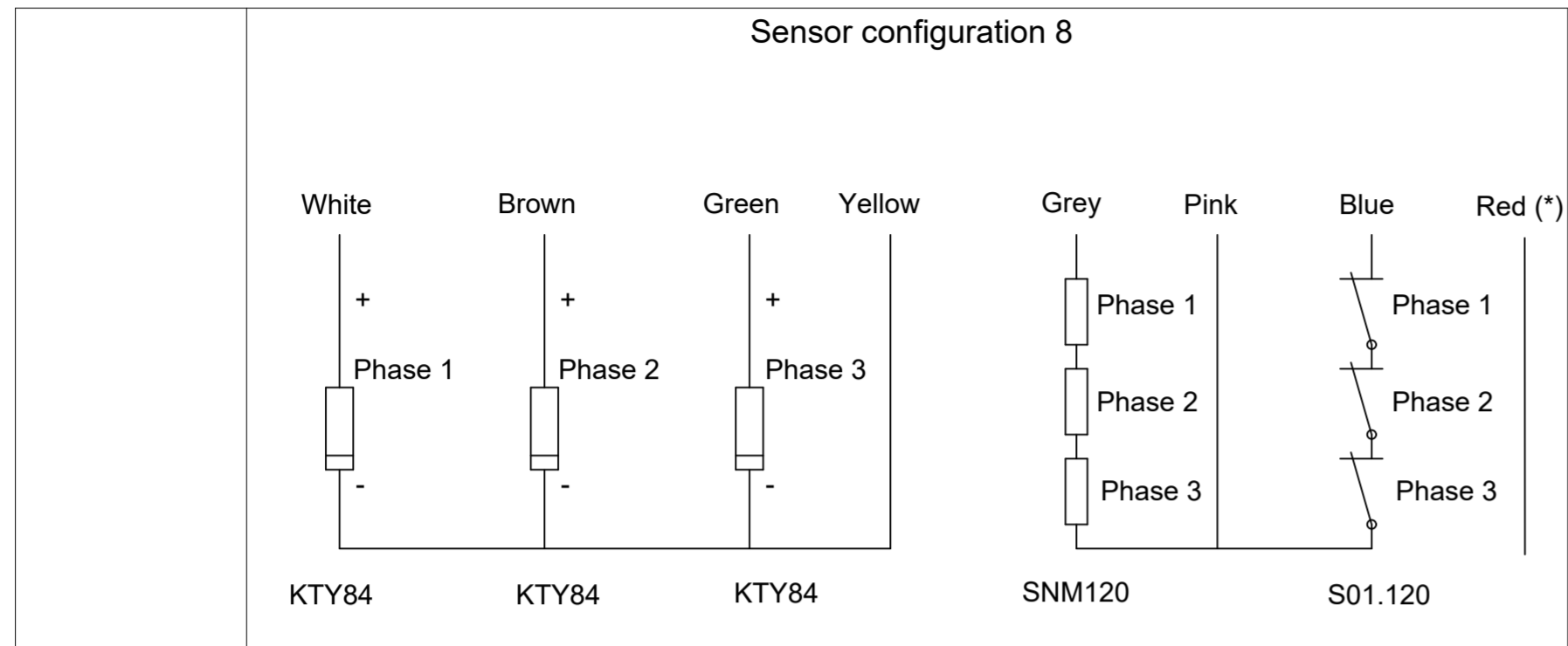
Text:		ID number
Original drawing	Scale	Change No. C115144-06
RoHS	3:10 A1	Released: 17.09.2020
Torque motor TMK0761 (interface)		Material: Matiere:
Moteur couple fer TMK0761 (interface)		
Dimensions in mm / Cotes en mm		Mating Dimensions / Cotes d'encastrement
Workpiece edges ISO 13715	General tolerances ISO 2768-mK	Surfaces as per ISO 1302
Arêtes de formes selon ISO 13715	Tolérances générales ISO 2768-mK	Etats de surface selon ISO 1302
-0.1 $L \pm 0.3$	$+0.3$ $L \pm 0.0$	Surface treatment: Traitement de surface:
Tolerances as per ISO 8015 : 2011		Tolérances selon ISO 8015 : 2011
The reproduction, distribution and utilization of this document as well as the communication of its contents to others without express authorization is prohibited. Offenders will be held liable for the payment of damages. All rights reserved in the event of the grant of a patent, utility model or design. (ISO 18015)		
ETEL ETEL S.A. 2112 Möhlers SWITZERLAND		Version/Revision/Sheet/ Page
812118-05-A-01		1 of 1
Document number		



TMK0761-3UXN-U##



Text:		ID number	
Original drawing Scale Format		Change No. C115144-06 Released: 17.09.2020	
RoHS	1:1 A1	Torque motor TMK0761 cables output (interface)	
Dimensions in mm / Cotes en mm		Mating Dimensions / Cotes d'encrochement	
Workpiece edges ISO 13715 Arêtes de formes selon ISO 13715		Surfaces as per ISO 1302 Etats de surface selon ISO 1302	
-0.1 ±0.3 L±0.3		Tolerances as per ISO 2768-mK Tolérances générales ISO 2768-mK	
+0.3 L±0.0		Tolerances as per ISO 8015 : 2011 Tolérances selon ISO 8015 : 2011	
		Surface treatment: Traitement de surface:	
The reproduction, distribution and utilization of this document as well as the communication of its contents to others without express authorization is prohibited. Offenders will be held liable for the payment of damages. All rights reserved in the event of the grant of a patent, utility model or design. (ISO 18015)			
ETEL ETEL S.A. 2112 Möllers SWITZERLAND		Version/Revision/Sheet Page 812118-05-A-02 1 of 1	



(*): Red wire (if present) is not connected on the motor side and cutted flush on cable extremity.

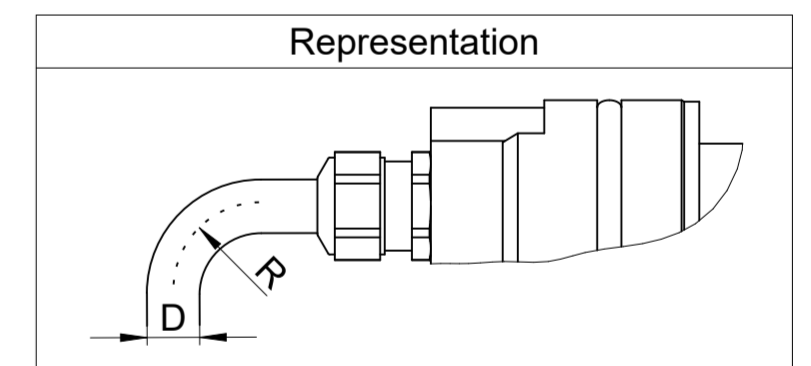
Power cable connection

Color and wire number	Function	Drawing
Black wire with number 1 or U	Phase 1 (PH1)	
Black wire with number 2 or V	Phase 2 (PH2)	
Black wire with number 3 or W	Phase 3 (PH3)	
Yellow and green wire	Ground (GND)	
Black wire with number Br1 or 5 or white cable	Neutral point wire (present only on some motor types)	
Black wire with number Br2 or 6 or black wire without label	None(**)	

(**): This wire is automatically present when the neutral point wire (which is an option) is added in the motor as it is a 2 x 1 or 2 x 1.5 mm² cable.

Wire section (mm²)

Characteristics	1 x 1.5	1 x 2.5	1 x 4	1 x 6	1 x 10	1 x 16	Sensor cable
Applicable motors	TMK0291 TMK0360 TMK0761 TMK0991	TMK0175 TMK0291 TMK0360 TMK0530	TMK0360	TMK0175 TMK0360 TMK0530	TMK0291 TMK0530 TMK0761	TMK0360 TMK0530 TMK0761 TMK0991	All TMK
Minimum bend radius for fixed cable	R = 5 X D	R = 4 X D	R = 4 X D	R = 4 X D	R = 4 X D	R = 4 X D	R = 6 X D
Minimum bend radius for moving cable	R = 10 x D	R = 7.5 X D	R = 7.5 X D	R = 7.5 X D	R = 7.5 X D	R = 7.5 X D	R = 12 X D



Text:		Original drawing Scale: 1:1 Format: A2		TMK sensor config. and cables prop. (interface)		ID number	
RoHS		1:1 A2		TMK config. capteur et prop. câbles (interface)		Change No. C115144-05 Released: 18.09.2020	
Workpiece edges ISO 13715 Arêtes de formes selon ISO 13715		General tolerances ISO 2768-mK Tolérances générales ISO 2768-mK		Surfaces as per ISO 1302 Etats de surface selon ISO 1302		Material: Matière:	
Tolerances as per ISO 8015 : 2011 Tolérances selon ISO 8015 : 2011		Surface treatment: Traitement de surface:		ETEL		Version/Revision/Sheet/ Page 1328572-00-A-01 Document number 1 of 1	